

Drop in Pivot Bar and Shoe



Features

- The Drop in Bar is screwed to the sash and then on installation dropped into captive Drop in Pivot Shoe in outer frame
- For run through horns we recommend the use of the Drop in Pivot Bar and Shoes
- An alternative to the Quick Release Kit, which can be easier to install sashes in a deep reveal
- One size universal bar for less complexity of stock

Drop in Pivot Bar and Shoe

Ordering Details

Drop in Pivot Bar and Shoe

Profile	Profile System	Part Code
DI Pivot Shoe	All	DI-UNI-TSH
DI Pivot Bar	All	DI-UNI-BAR
DI Insert	Veka & WHS Halo	DI-UNI-TSH610

Accessories

Tool Options	Part Code
DI Shoe Fitting Tool	DI-UNI-TOOL
Balance Retaining Clip	BF-RET-CLIP
Balance Retaining Clip Tool	BF-RET-TOOL

Technical Information

Corrosion Resistance

Meets the requirements of BS EN 1670:2007 Grade 4 (240 hours)

Operation

Tested in excess of 25,000 cycles of window operation

Material Specification

Quick Release Bar: High quality steel, Zinc plated, Trivalent passivated and seal

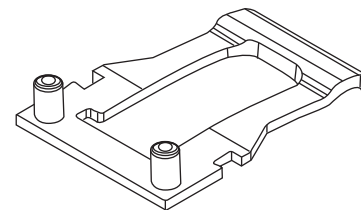
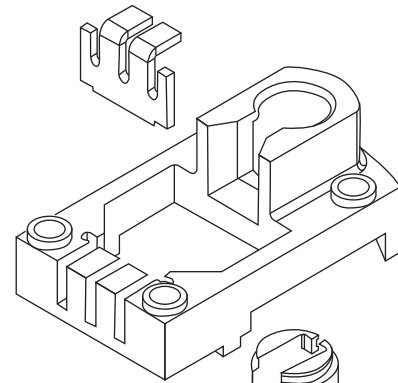
Pivot Shoe: Nylon

Packaging

Drop in Pivot Bar and Shoe:

DI Pivot Shoe	50 per Bag
DI Pivot Bar	50 Per Box
DI Insert	50 Per Bag

Drop in Bar with Pivot Shoe



Insert

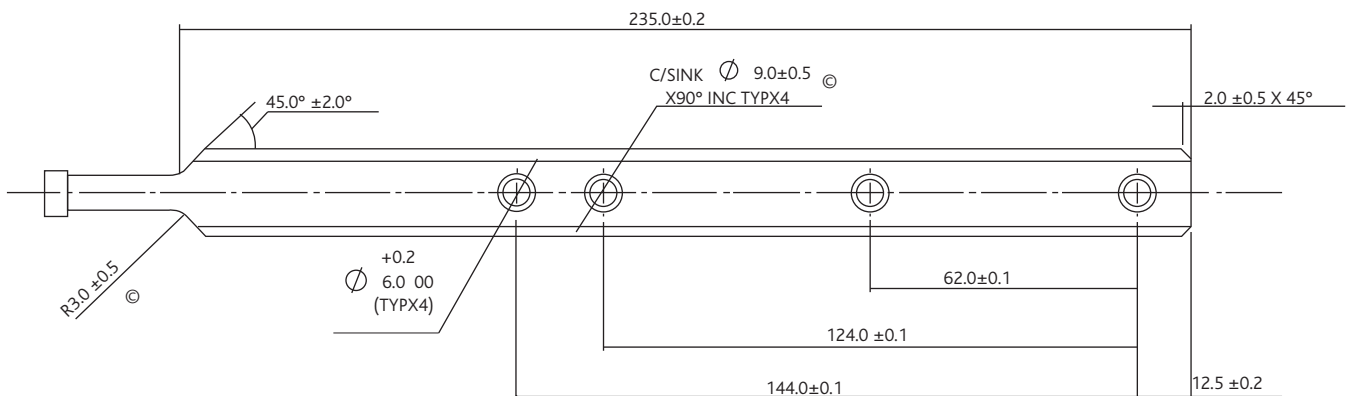
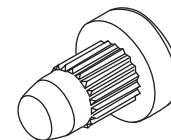


Diagram not to scale. All dimensions are in mm and are nominal.
ERA reserves the right to change specification without notice
It is the responsibility of the window manufacturer to ensure that the finished product meets any required safety and performance specification