

# ERA

## DSPC Valiant Mortice Lock Fitting Instructions

### Installing a Mortice Lock

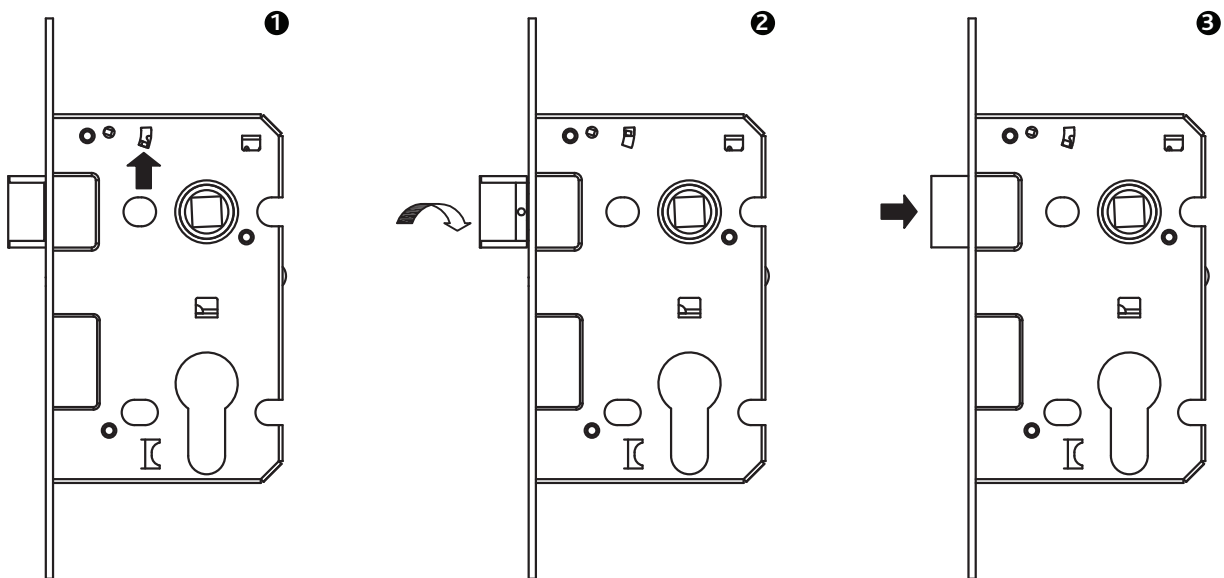
To fit a Mortice lock you will require the following tools:

- Drill
- Drill bits for morticing of timber
- Chisel
- Mallet
- Posidriv screwdriver
- Pencil
- Ruler

**Note:** It is recommended that suitable pilot holes are drilled before fitting fixing screws (especially in hardwood).

### Reversing the sashbolt (latch)

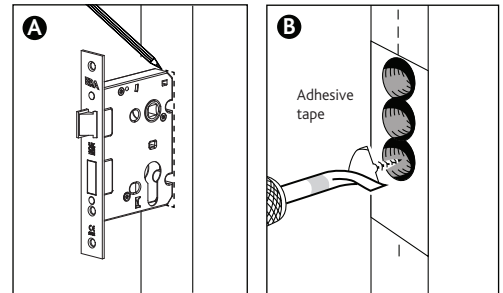
- 1 Lift latch bolt release up to disengage latch bolt
- 2 Rotate latch bolt 180°
- 3 Depress latch bolt fully to re-engage latch bolt



# ERA

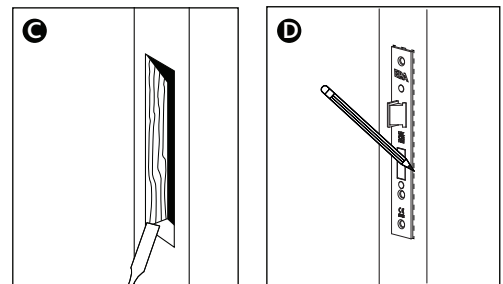
## Installing the Lock

- A** Whilst holding the door open, position the lock centrally along the leading edge of the door and using a pencil mark out the mortice position. Make sure that the position of the mortice avoids cutting through any joints of the door construction.
- B** Mark the central vertical position (dotted line) and along this vertical line drill a series of overlapping holes to the lock depth. In order to drill to the correct depth apply adhesive tape to the drill bit to the measured lock depth (including forend and faceplate depth).
- C** Carefully chisel out remaining wood to make a rectangular hole (mortice) to accommodate lock body to ensure a secure fit and to suit chosen backset. (NOTE: If fitting to a fire door please allow additional depth on the case depth and either side of the case width for fixing intumescent seal - 1mm for a 30-minute fire door or 2mm for a 60 minute fire door).
- D** Insert the lock body into the rectangular slot, ensuring the forend is pushed firmly to the face of the door, using a pencil mark around the forend. Remove wood to the max depth of 2mm, this depth allows the flush fixing of the lock to the face of the door.
- E** Once done, mark out the screw positions then drill pilot holes for the 2 screws in the forend. Don't install until all other steps completed. (NOTE: If fixing to a fire door please allow additional depth to the forend mortice for fixing intumescent seal - 1mm for a 30-minute fire door or 2mm for a 60 minute fire door).
- F** Using the lock body as a template, mark on the side of the door the positions of the spindle and the lock aperture centres. Please note hole centres requiring to be cut will vary according to the lock model being installed. (NOTE - Lock aperture preparation not required for DSPC Valiant Upright Latch models).
- G** Remove lock from the door and drill 20mm diameter holes at spindle centre through the door from both sides into the mortice (care must be taken to ensure holes are level to ensure correct fixing of handle furniture). Then drill at lock aperture centre to allow for the chosen method of locking according to the model being installed. (NOTE - For DSPC Euro Profile Valiant sash Lock, remove enough material to allow euro cylinder body to pass through). If, depending on the handing of the door the latch bolt needs reversing, follow latch bolt reversal procedures attached with document. (NOTE - Lock aperture preparation not required for DSPC Valiant Upright Latch models).
- H** Place the lock back into the door ensuring that everything lines up. At this point line up and install any chosen door furniture to suit the lock, to both sides of the door. With all items prepared and installed, remove faceplate, fit two fixing screws to lock forend to secure in place.



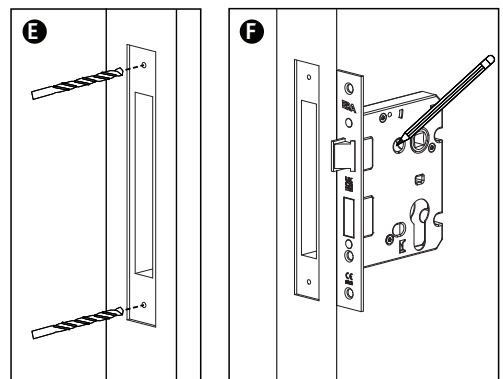
Mark position of lock

Drill hole for mortice



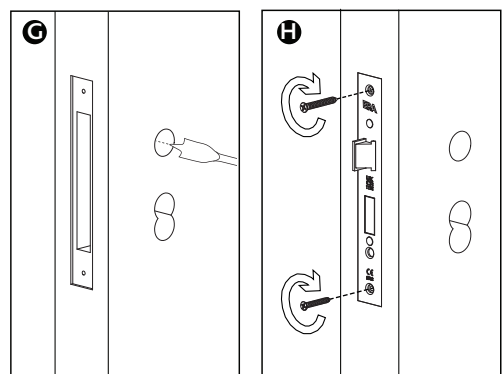
Chisel out mortice

Mark and chisel recess



Mark and drill holes

Fit lock



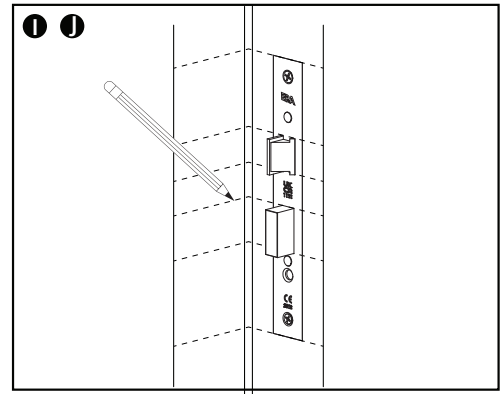
Mark position

Fit box striker

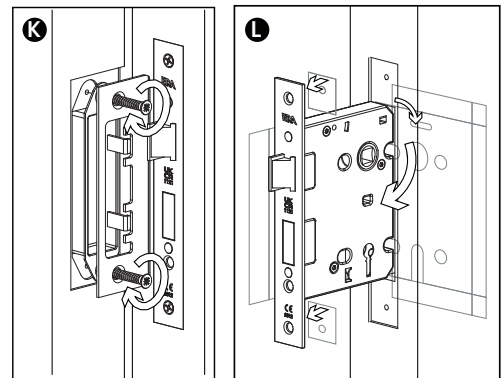
# ERA

## Installing the Lock

- I** With the door open, ensure that the deadbolt (if applicable) is in the thrown position (extended) so both bolts protrude from the leading edge of the door. At this point close the door gently against the door frame and, using a pencil, mark the positions for the latch bolt and the dead bolt onto the door frame.
- J** Mark out on the door frame the length of the strike plate with the fixing holes and go through the same procedure of marking out the recess for the strike plate and dust box. Then remove enough wood to ensure installation of the plastic dust box and chisel a 1.5mm recess for the strike plate to sit flush to the door. (NOTE: If fixing to a fire door please allow an additional 1mm depth to the strike plate recess for fixing intumescent seal - 1mm for a 30-minute fire door or 2mm for a 60 minute fire door).
- K** Fit the dust box and strike plate using screws provided. Ensure the bolts fit well and can be fully thrown into the strike plate and where applicable adjust the anti rattle tabs.
- L** Apply final furnishings and check all operations prior to finishing.



Mark position of striker and chisel



Fit dust box

Intumescent kit for Fire Doors

### Important

**Fire doors:** If stated on the data sheet, this product has been fire tested in combination with a specific intumescent kit/ material to the requirements of BS EN 1634-1. This intumescent kit is critical to the product' fire test evidence and UKCA/ CE / Certifire certification. Failure to supply/ fit the exact material and similar design of kit will invalidate all fire test evidence and certification. ERA accept no responsibility or liability for incorrectly specified intumescent material.

**Dangerous substances:** the materials used in this device do not contain any dangerous substances in excess of the maximum levels specified in existing European material standards or any national regulations.

### Maintenance

Wipe the surface periodically with a soft cloth to remove excess grease or moisture. All moving parts should be lightly lubricated using a light non-acidic mineral oil (e.g. "3 in 1") at least twice per year. The product may need to be adjusted and fixings tightened to ensure a satisfactory operation.

To download the CPR Declaration of Performance, please visit [erahomesecurity.com](http://erahomesecurity.com)

**ERA**

Part Numbers:  
DSPCES64/ DSPCES76  
DSPC3S64/ DSPC3S76  
DSPCB/ DSPCB76  
DSPCU64/ DSPCU76

**CE**

2812-CPR-AG7931

**UK  
CA**

1121-CPR-UK-AG8016