

ERA

DHAED Decorative Door Handle Fitting Instructions

Installing a Decorative Door Handle

To fit a door handle you will require the following tools:

- Pencil
- Tape Measure
- Crosshead Screwdriver
- Hacksaw

Caution

This handle is suitable for a lock with a 92mm centre (the distance between the centre of the cylinder and the spindle), please check this handle is suitable for the door lock, prior to fitting. If replacing an existing handle, please also check that the dimension between the screw holes mirror your current handle to ensure a good fit. Screws and spindles may need to be shortened to suit the door thickness.

A For fitting into new doors, it is important that the door is prepared correctly. The correct sized holes must be routed into the door to accept the screw bosses, spindle and cylinder. Please use a rule and square to correctly mark out the holes and check handle holes are aligned. Handles are available for 60mm - 70mm door profiles. Please ensure you have the correct screw and spindle pack for the required door installation.

B One half of the handle has no screw holes, this is the external backplate and should be fitted to the outside of the door. The internal backplate has two screw holes, top and bottom of the backplate and is for the inside of the door.

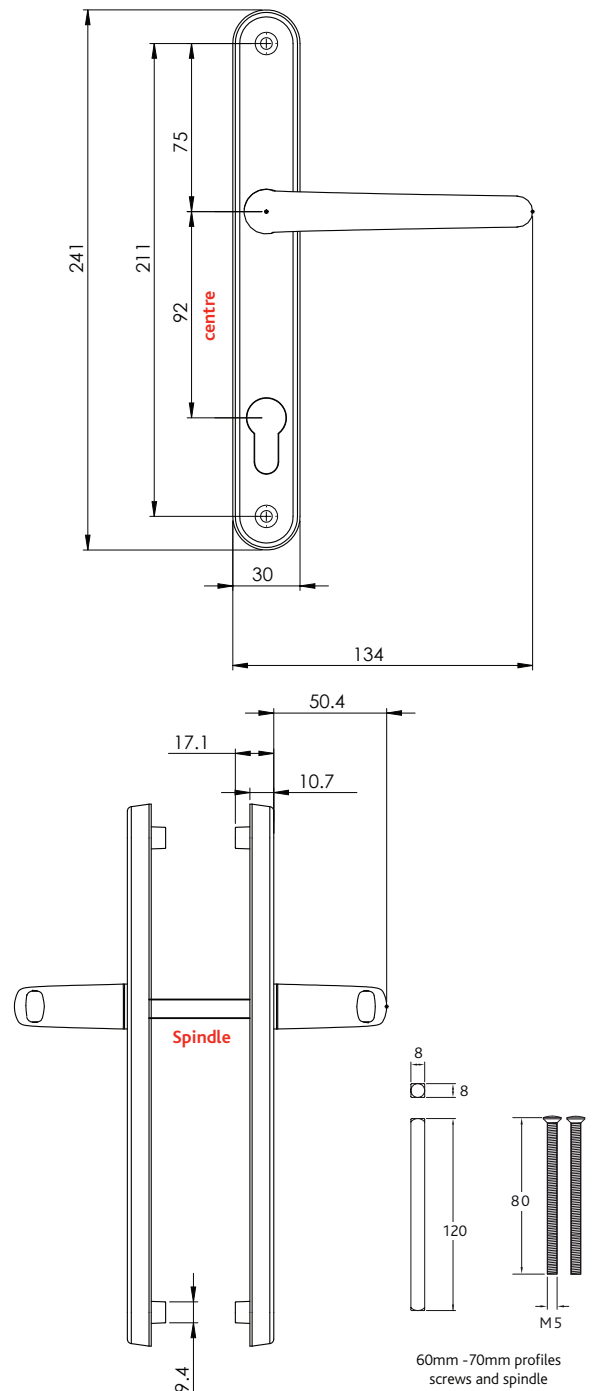
C The handle is non-handed and can be used on left and right hung doors. To ensure the correct handing, hold the external handle on the door with the lever at a 90° facing towards the hinges. When the lever is in the correct position, insert the spindle into the back of the external backplate and position on the door.

NB: if the spindle is not inserted into the handle when the lever is in the correct position it may cause the spring cassette in the internal and external handle to clash.

Additional Information

Please note: This handle is only suitable for door locks operated by a euro cylinder.

Maintenance - Handles should be cleaned with a soft dry cloth. If further cleaning is required we recommend a mild solution of warm, soapy water on a soft cloth. Dry thoroughly afterwards.



All dimensions are in mm and are nominal.
ERA reserves the right to change specification without notice. It is the responsibility of the door manufacturer to ensure that the finished product meets any required safety and performance specification.