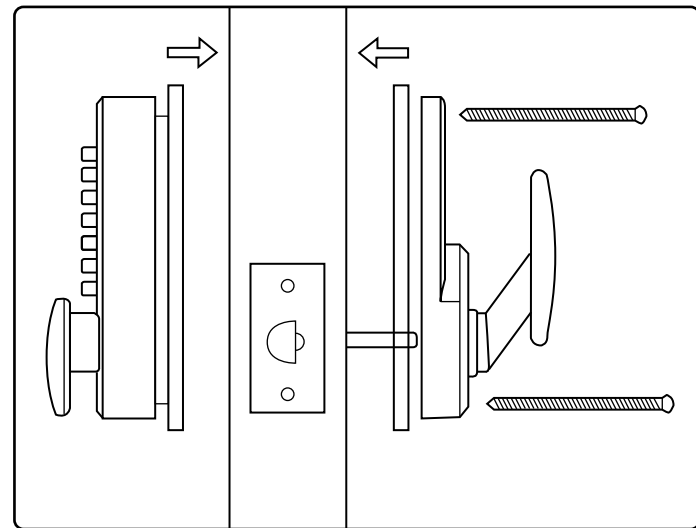
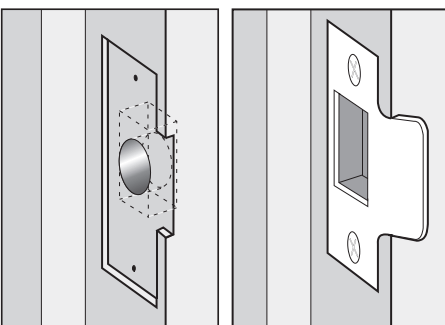


### 5 | FIXING THE LOCK



- Cut the fixing bolts to suit the door thickness, allowing at least one threaded section to screw into the lock case.
- Hold the lock case and the backplate, with the seals, onto the door with the spindle in position.
- Using the fixing bolts screw everything together through the top and bottom holes of the backplate. Before final tightening make sure that the lock is vertical and test the mechanism to ensure that it is all moving easily.  
**DO NOT CLOSE THE DOOR UNTIL YOU ARE SURE THAT THE CODE WORKS.**  
DO NOT over-tighten the fixing bolts as this may cause distortion and lead to poor operation

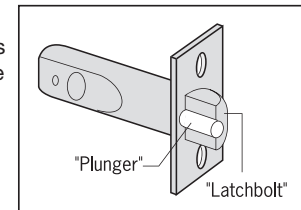
### 6 | FITTING THE STRIKING PLATE



The plunger beside the latch bolt deadlocks the latch bolt and protects it against manipulation. IT MUST NOT enter the strike plate aperture when the door is closed.

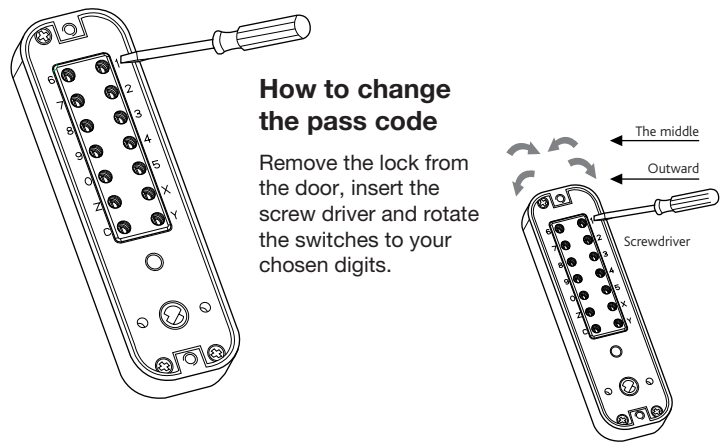
Ensure that there are no obstructions to prevent the door closing properly into its frame, such as litter trapped in the hinge side.

Position the strike plate on the door frame so that it lines up with the flat of the latch bolt, NOT THE PLUNGER.



Draw around the aperture of the strike plate. Chisel out the aperture 15mm (5/8 inches) deep to receive the latch-bolt. Fix the strike plate to the surface of the frame with one screw only. Close the door and ensure that the latch bolt enters the aperture easily and is held without too much 'play'. When satisfied, draw around the final position of the strike plate, remove it and cut a 1mm (1/16 inches) rebate to enable it to fit flush. Re-fix the strike plate with both screws.

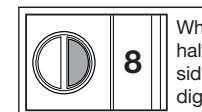
### CODE CHANGE INSTRUCTIONS



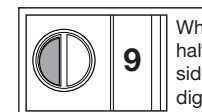
#### How to change the pass code

Remove the lock from the door, insert the screw driver and rotate the switches to your chosen digits.

#### Left Hand Side

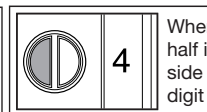


When the coloured half is on the inner side of the lock the digit is **INACTIVE**.

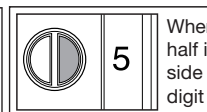


When the coloured half is on the outer side of the lock the digit is **ACTIVE**.

#### Right Hand Side



When the coloured half is on the inner side of the lock the digit is **INACTIVE**.



When the coloured half is on the outer side of the lock the digit is **ACTIVE**.

#### Maintenance

No maintenance of the working parts is necessary. **DO NOT OIL.** To maintain the finish the lock should be cleaned regularly with a soft cloth. A silicone or similar should be used to provide a protective film against grit and grime.

**ERA**

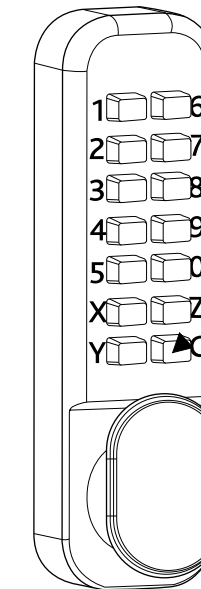
For more info call 01922 490000 or visit [www.erahomesecurity.com](http://www.erahomesecurity.com)

**TECHNICAL HELPLINE**  
**01922 490 050**

ERA Home Security, Valiant Way, Wolverhampton, WV9 5GB

**ERA**

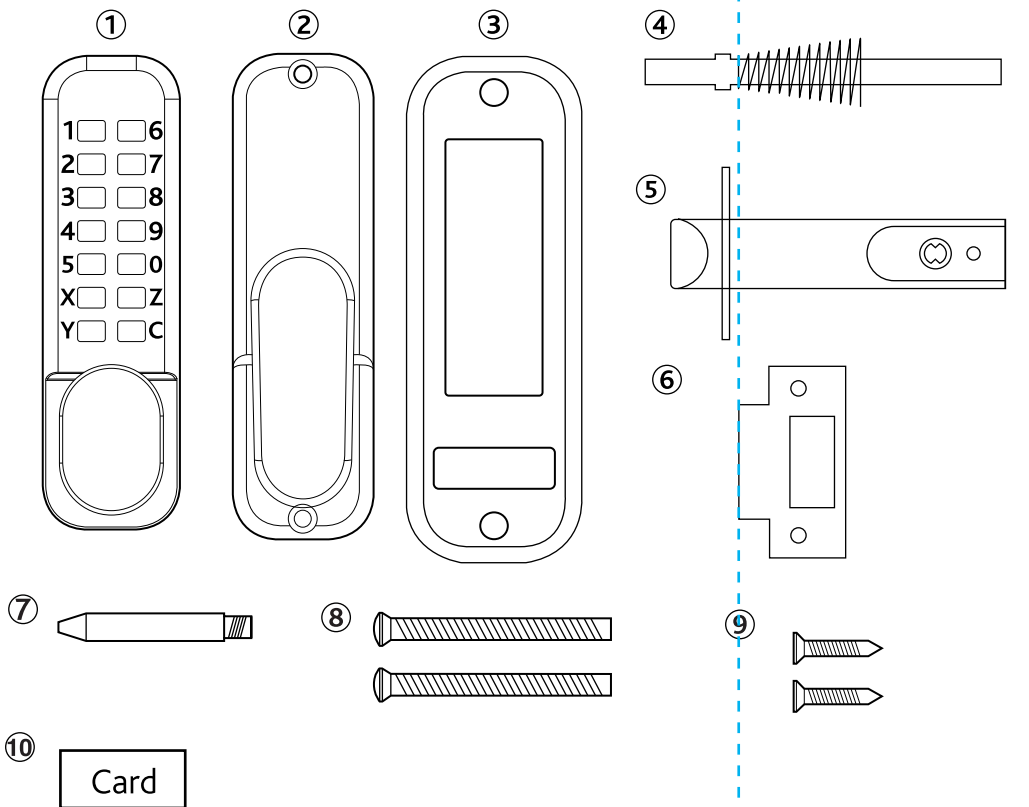
**PUSH  
BUTTON  
DIGITAL  
DOOR  
LOCK**



**Installation and code change instructions**

# PUSH BUTTON DIGITAL DOOR LOCK

# CONTENTS

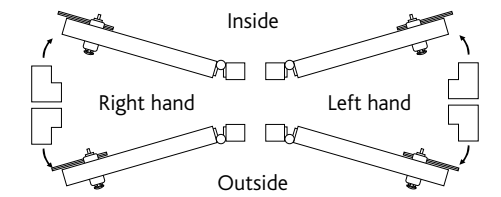


- 1 - Push Button Lock - External
- 2 - Push Button Lock - Internal
- 3 - Weatherseal
- 4 - Spindle (With Spring)
- 5 - Latch (60mm back set)
- 6 - Strike Plate
- 7 - Latch Support Post
- 8 - Fixing Bolts for Lock - Can be cut to suit door thickness
- 9 - Fixing Screws for Latch Strike plate
- 10 - Pass code Card

# SPECIAL NOTES

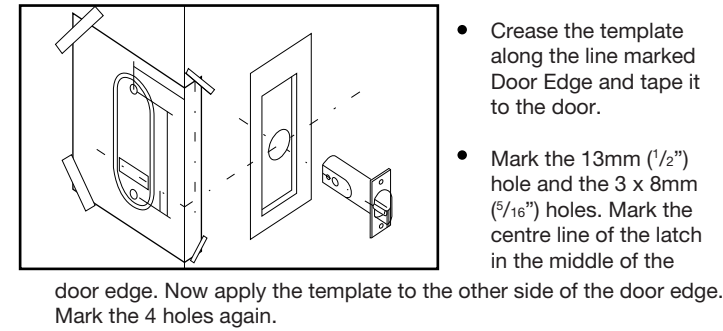
- You are advised to familiarise yourself with the instructions before starting work.**
- As standard locks are supplied as 'hold open' function with a snib on the backplate. This enables the latch bolt to be held open when required.
  - When using the 'hold open' function please note that the backplate is fitted with a blue screw to stop the handle moving in the wrong direction. The screw should be in the left hand hole for a right hand door or the right hand hole for a left hand door.
  - Make sure that the lever handle of the backplate moves freely. If set to 'hold open' version check that the snib will engage and hold the handle in the 'latch-open' position.
  - Check that the latch bolt moves freely by pressing at the end and also by turning the flat spindle in the latch cam.

# 1



Viewed from outside, a door is right handed if the hinges are on the right and left handed if the hinges are on the left.

# 2 | APPLY THE TEMPLATE

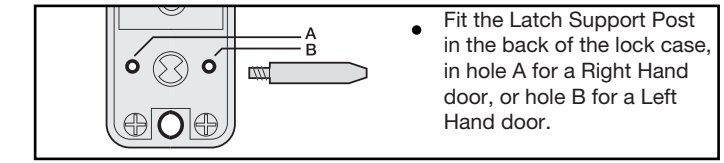


- Crease the template along the line marked Door Edge and tape it to the door.
- Mark the 13mm (1/2") hole and the 3 x 8mm (5/16") holes. Mark the centre line of the latch in the middle of the door edge. Now apply the template to the other side of the door edge. Mark the 4 holes again.

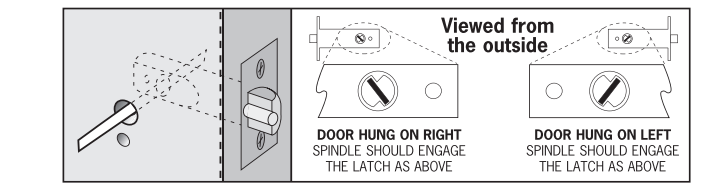
## Positioning and fixing the latch

- Keeping the drill level and square to the door, drill holes from both sides to avoid splintering out of door face.
- Mark a central point on the 'centre line of latch' on the door edge.
- Mark the depth of 85mm (3 3/8") on the drill bit with tape to act as a visible depth limit. Drill a 25mm (1") hole, 85mm (3 3/8") deep, keeping the drill level and square to the door.
- Insert the latch into the hole and with the edges parallel to the door, draw around the face plate.
- Remove the latch. Score the pencil line with a Stanley knife to avoid splitting prior to chiselling. Chisel a 3mm (1/8") rebate to fit the latch face flush to the door edge.
- Fix the latch with the wood screws, with the bevel toward the door frame.

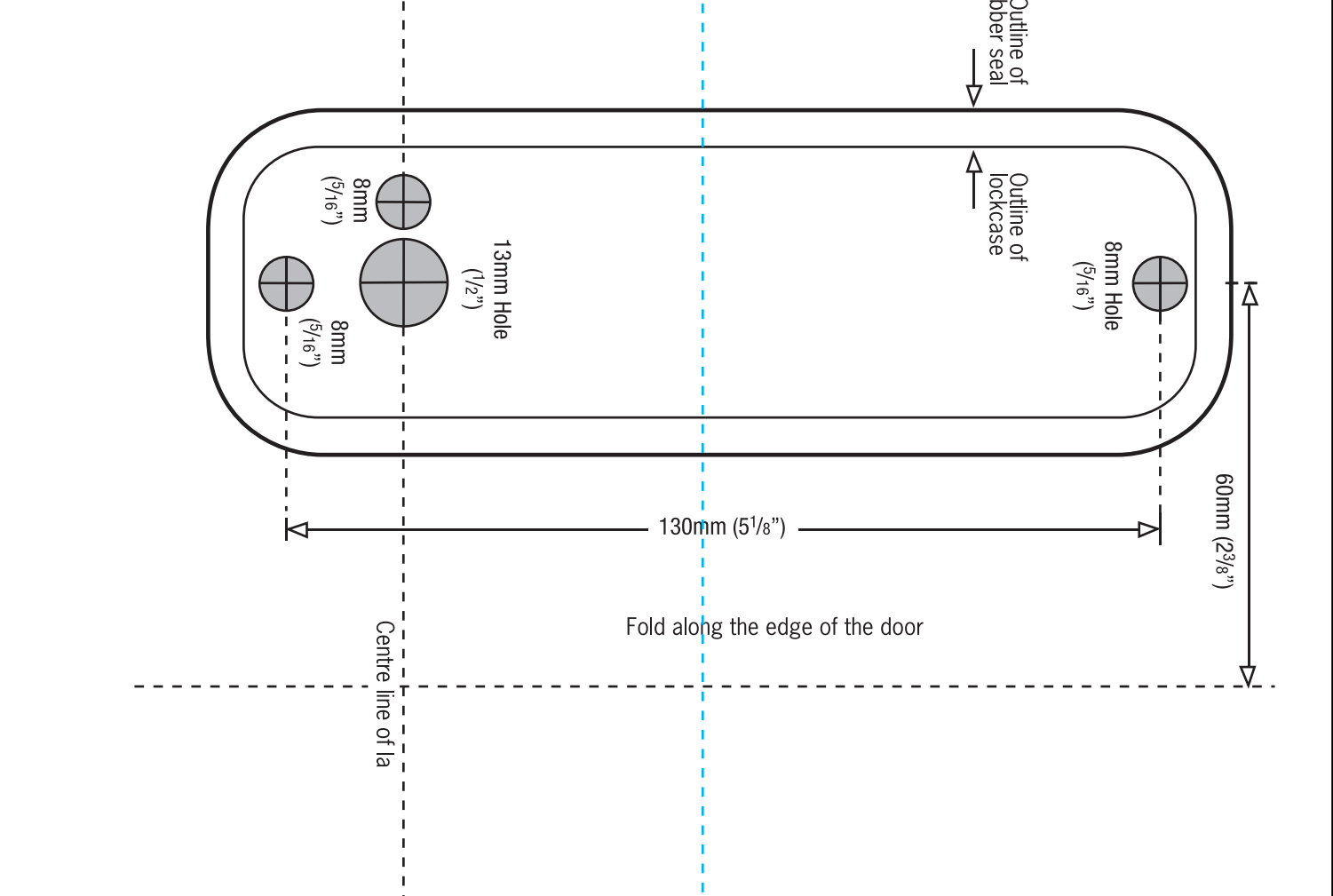
# 3 | LATCH SUPPORT



# 4 | POSITIONING THE SPINDLE



- The spring loaded spindle will fit doors between 35mm and 65mm (1 3/8" - 2 1/2") thick. For doors less than 50mm (2") thick break off the 15mm (5/8") section at the end of the spindle. For doors more than 65mm thick, ring the Helpline for advice. The spring keeps the spindle firmly engaged in the outside handle when the lock is assembled on the door.
- Insert the spindle, with the spring on the code side, through the 13mm (1/2") hole in the door and make sure that it engages the latch correctly for the hand of the door (see inset diagram)



TEMPLATE