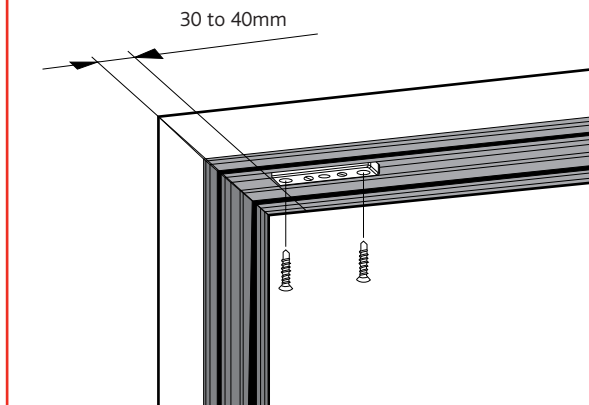


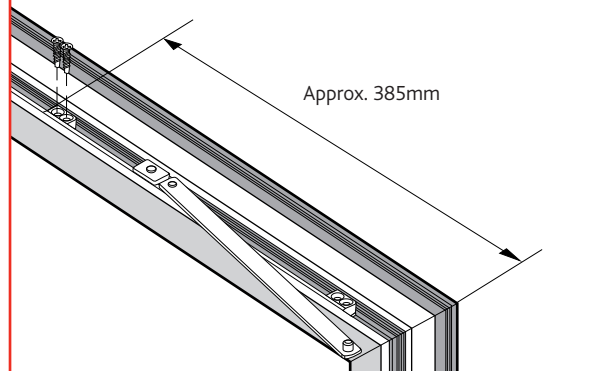
ERA

Door Restrictor Fitting Instructions

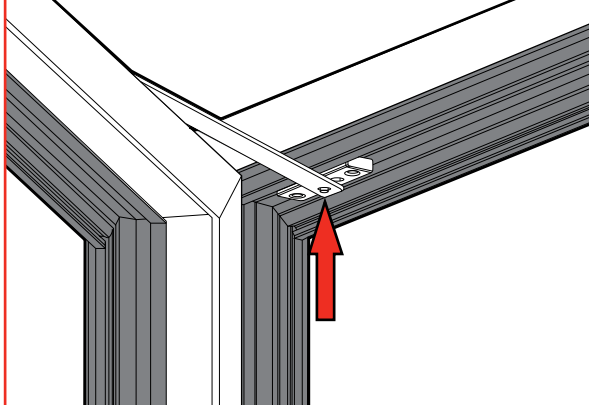
- A** Detach the frame block from the assembly and secure to the door frame.



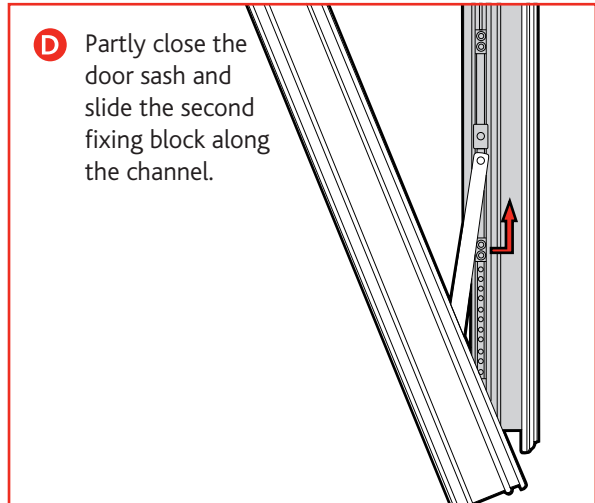
- B** Locate the channel assembly into the door sash Euro groove and secure with two screws into the first fixing block.



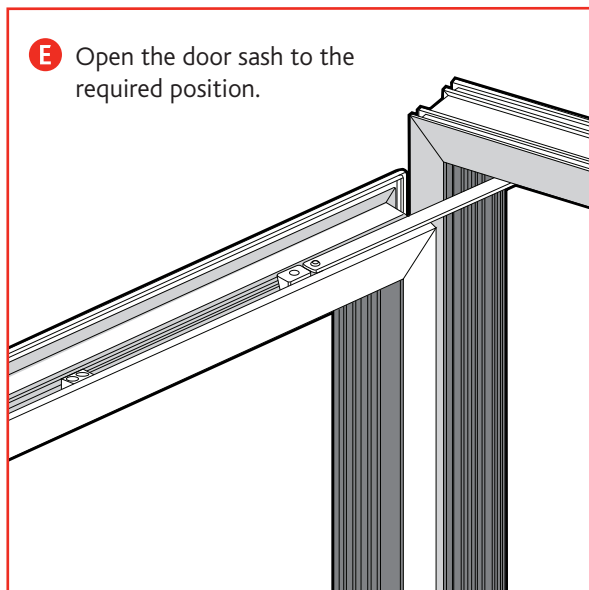
- C** Reconnect the channel assembly to the frame block (clip fit).



- D** Partly close the door sash and slide the second fixing block along the channel.



- E** Open the door sash to the required position.



- F** Partly close the door sash again. Align the second fixing block screw holes with the nearest adjacent hole in the channel and secure with two screws. Adjust the door opening force as required with the brass screw.

