



## 828-52 Window Locking Catch Fitting Instructions

### Installing a Window Lock Catch

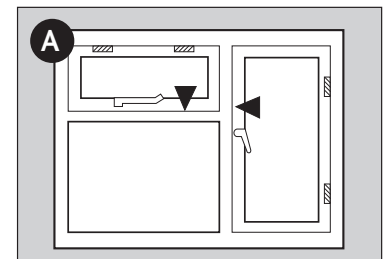
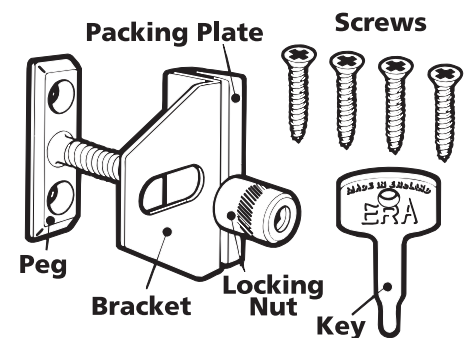
To fit a Sash Window Lock Catch you will require the following tools:

- Bradawl or drill with 2.5mm drill bit)
- Screwdriver
- Pencil

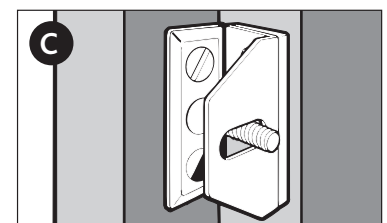
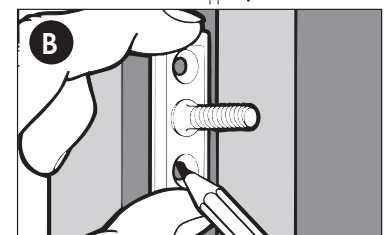
- A** Select position of Window Locking Catch
- B** Close window and mark position on opening window 5mm from the edge of the fixed frame.

Screw peg to the opening frame, mark the position of the bracket on the fixed frame. Use packing plate if necessary.

- C** Screw bracket to fixed frame. If fitting to a bevelled frame you will need to use the packing plate. Screw locking nut on to the peg until tight using the key provided.



5mm Gap



### Additional Information

**Operation** - Using the key turn anti-clockwise to remove locking nut. To re-lock put locking nut onto peg and tighten with key.

**Security Tip** - For child safety fit ERA Window Securistay Ref: 720, to restrict full opening.

**Security Tips** - Always close and lock windows, and remove keys from locks when leaving the house.

**Maintenance** - Use a moist cloth only to clean all types of finish, household abrasives or solvents may affect the surface finish.