




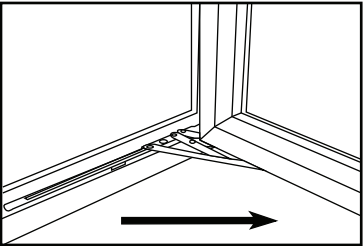
## Reflex Plus Friction Hinge - Fitting Instructions

This window has been fitted with multi-purpose opening hinges. The following information explains how to operate the hinges and window safely

**A To open to full Egress**

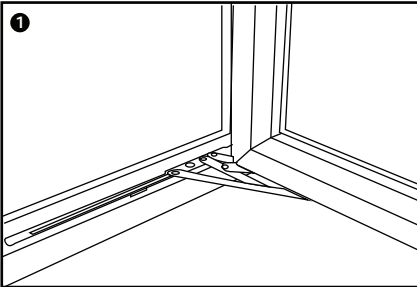


**1** To open the window, release the handle by depressing the button and turn

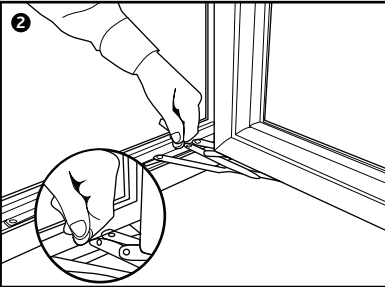


**2** Open the window fully to its maximum extent

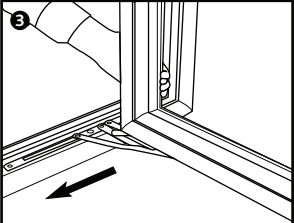
**B To open to the Easy Clean position**



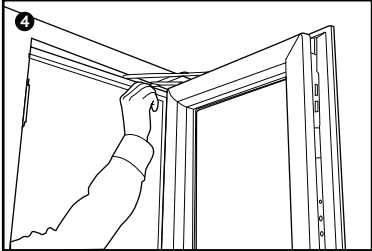
**1** Open the window fully using the window




**2** Using the tool provided or something similar e.g. 1p, 5p or 20p coin, turn the disk on the bottom hinge or 1/4 of a turn and hold securely



**3** While holding the disc in position, slide the bottom of the window along the track by pulling the window edge

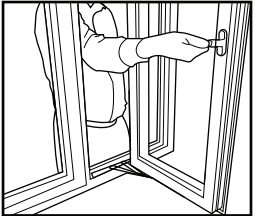


**4** Open the window fully using the handle



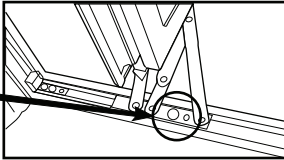
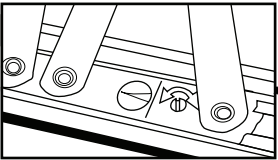
**5** Easy clean - allows you to clean the external glass easily from the inside

**C To reset the hinge**



**1** Simply close the window with the handle to reset the hinge

**D To set the friction**



Adjust the gold coloured friction screw to allow for smooth operation of the hinge. Do not overtighten

**E Maintenance**

The pivot point should be lightly lubricated twice a year with a drop of 3 in 1 oil or similar; and the surface cleaned with a soft damp cloth to remove any dust or grime. The product should be periodically adjusted and the fixings tightened to ensure a satisfactory operation