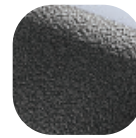


## Large Decorative Door Knob

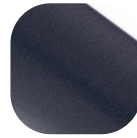


### Features

- **100mm diameter large knob**  
Fits most door types
- **Supplied in either through fix or concealed fix specifications**  
All fixing options covered
- **A highly secure and robust fixing**  
Designed to meet the life-cycle of the door
- **All parts, tools and fixings supplied within one package**  
Parts to hand for a quick and easy fixing
- **Colour co-ordinated internal bolt for through fix**  
That final perfectly matching touch
- **Bolt fixing can be cut to size**  
Will suit all standard depth doors
- **Designed for Composite, Timber, PVCu and Aluminium doors**  
To suit all door materials
- **Available in the complete range of Hardex finishes**  
Perfectly matching to the full Fab&Fix range of products



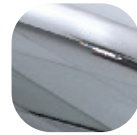
Antique Black



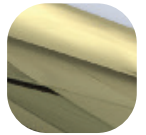
Anthracite Grey



Black



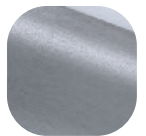
Hardex Chrome



Hardex Gold



Hardex Bronze



Hardex Graphite



Through Fix



Concealed Fix

### Large Decorative Door Knob

#### Ordering Details

#### Product

#### Large Decorative Door Knob

| Finish          | Through Fix Part No. | Concealed Fix Part No. |
|-----------------|----------------------|------------------------|
| Black           | DFNKB100TFBK         | DFNKB100CFBK           |
| Anthracite Grey | DFNKB100TFAG         | DFNKB100CFAG           |
| Hardex Chrome   | DFNKB100TFHC         | DFNKB100CFHC           |
| Hardex Bronze   | DFNKB100TFHB         | DFNKB100CFHB           |
| Hardex Gold     | DFNKB100TFHG         | DFNKB100CFHG           |
| Hardex Graphite | DFNKB100TFGR         | DFNKB100CFGR           |
| Antique Black   | DFNKB100TFAB         | DFNKB100CFAB           |

#### Technical Information

##### Corrosion resistance

Meets the requirements of BS EN 1670:2007 Grade 5 (480 hours)

##### Performance

Pull test - 800N

#### Material Specification

|                            |   |
|----------------------------|---|
| Handle Grip and Backplate: | High quality Zinc   |
| Coatings:                  | Hardex Chrome, Hardex Bronze, Hardex Gold, Hardex Graphite, Anthracite Grey, Antique Black, and Black |
| Bolts:                     | Mild Steel.<br>Through Fix - 120mm bolt<br>Concealed Fix - 40mm bolt                                  |
| Fixing Brackets:           | Mild Steel  |

#### Maintenance

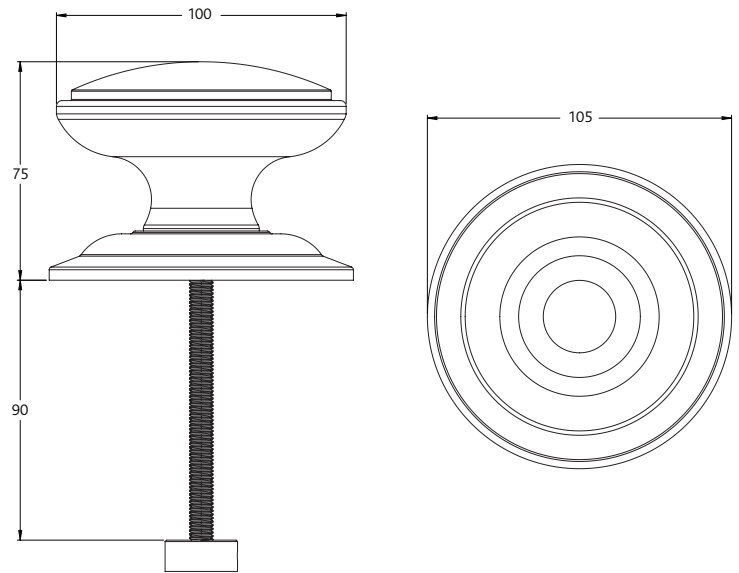
For continued protection of the quality finish and appearance, we advise routine cleaning of all our external hardware. We recommend wiping it with a clean cloth soaked in warm water and mild detergent every month. Please refrain from using heavy-duty cleaners, containing Chlorine or Potassium. Moving parts should also be lightly lubricated using a light non-acidic mineral oil (e.g., "3 in 1") at least twice per year. The product may need to be adjusted and fixings tightened to ensure a satisfactory operation. This procedure is particularly essential if products are used within a 25-mile radius of coastal areas or close proximity to building sites or large industrial areas, where more frequent cleaning may be required to prevent the accumulation of corrosive contaminants.

#### Packaging

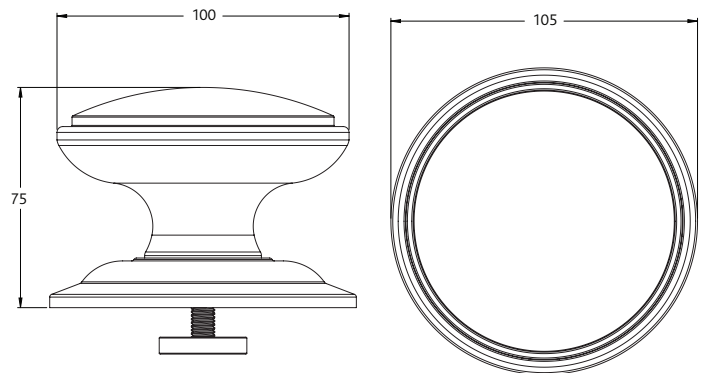
##### Door Knob

Individually boxed with fixings.  
10 knobs in an outer box.

Door Knob - Through Fix



Door Knob - Concealed Fix



All dimensions are in mm and are nominal.  
Fab&Fix reserves the right to change specification without notice.  
It is the responsibility of the door manufacturer to ensure that the finished product meets any required safety and performance specification.