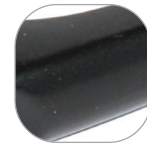


### Decorative Patio Locking Door Handle



#### Features

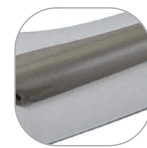
- Stylish solid patio handle for sliding doors
- Sculpted ergonomic D shaped handle with a softly rounded back plate
- Integral latch lever
- Simple and quick installation, supplied non handed for ease of stock holding
- Supplied with screw and spindle pack to suit 40-70mm profile
- Available in a range of popular finishes
- Colour coordinated screw heads
- Suitable for PVCu doors
- Part of the ERA Decorative furniture range



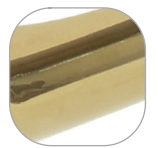
Black



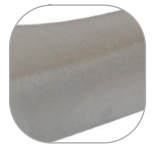
White



Polished  
Chrome



Polished  
Gold



Satin  
Chrome

## Decorative Patio Locking Door Handle

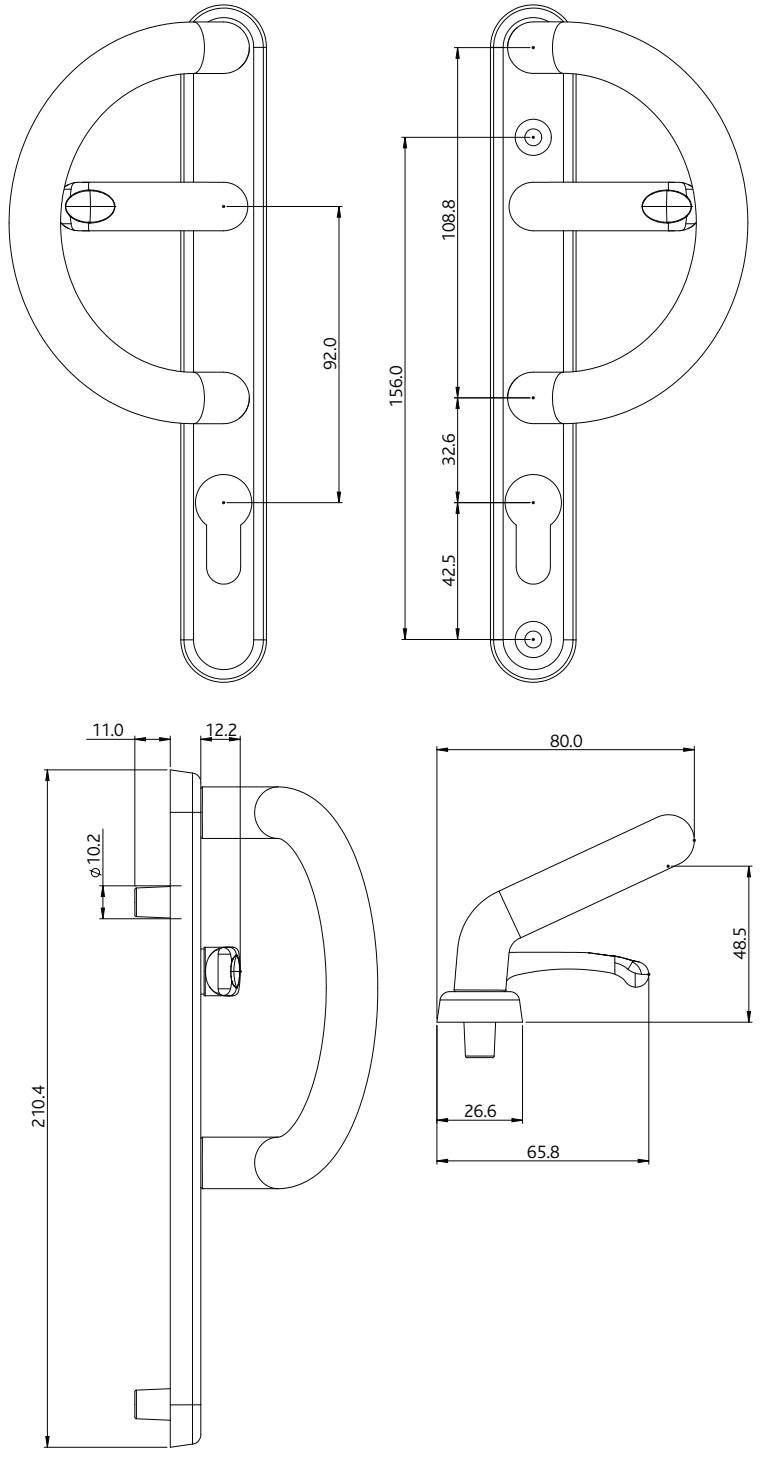
Ordering Details	
Product	
Decorative Patio Locking Door Handle	
Finish	Part No.
White	DPHEDLKWH
Black	DPHEDLKBK
Polished Gold	DPHEDLKPG
Polished Chrome	DPHEDLKPC
Satin Chrome	DPHEDLKSC

For additional part numbers please contact our sales office.

Technical Information	
<b>Corrosion resistance</b> Meets the requirements of BS EN 1670 Grade 4 (240 hours)	
<b>Operation</b> Tested to 100,000 cycles	
Material Specification	
Handle Grip and Backplate:	High quality Zinc casting or Aluminium Alloy backplate and grip, non-handed.
Coatings	White and Black powder painted coated. Polished Gold, Chrome and Satin Chrome Plate, electroplated
Spindle / Screws:	Machine screws with colour coordinated heads for handle. 40mm - 70mm profiles (1 x 7mm x 75mm spindle, 1 x 7mm x 85mm spindle, 1 x 7mm x 95mm spindle; 2 x M5 x 58mm screws, 2x M5 x 70mm screws and 2 x M5 x 80mm screws)
Cylinder:	Euro Cylinder, 92mm PZ

Maintenance	
<p>For continued protection of the quality finish and appearance, we advise routine cleaning of all our external hardware. We recommend wiping it with a clean cloth soaked in warm water and mild detergent every month. Please refrain from using heavy-duty cleaners, containing Chlorine or Potassium. Moving parts should also be lightly lubricated using a light non-acidic mineral oil (e.g., "3 in 1") at least twice per year. The product may need to be adjusted and fixings tightened to ensure a satisfactory operation. This procedure is particularly essential if products are used within a 25-mile radius of coastal areas or close proximity to building sites or large industrial areas, where more frequent cleaning may be required to prevent the accumulation of corrosive contaminants.</p>	

Packaging	
<b>Handles</b>	
Individually bagged with screws and spindle.	
10 handles in an outer box.	



All dimensions are in mm and are nominal. ERA reserves the right to change specification without notice. It is the responsibility of the door manufacturer to ensure that the finished product meets any required safety and performance specification.