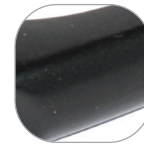


### Decorative Urn Door Knocker



### Features

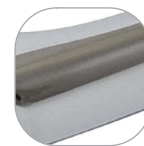
- Stylish door knocker
- Face fixing plate for ease of installation
- Available with or without aperture for a spyhole
- Available in a range of popular finishes
- Suitable for PVCu, composite and timber doors
- Part of the ERA Decorative furniture range



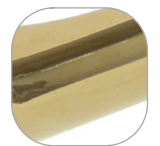
Black



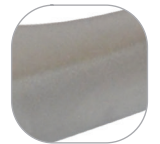
White



Polished  
Chrome



Polished  
Gold



Satin  
Chrome

## Decorative Urn Door Knocker

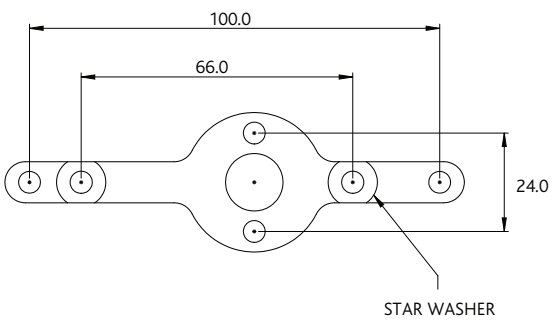
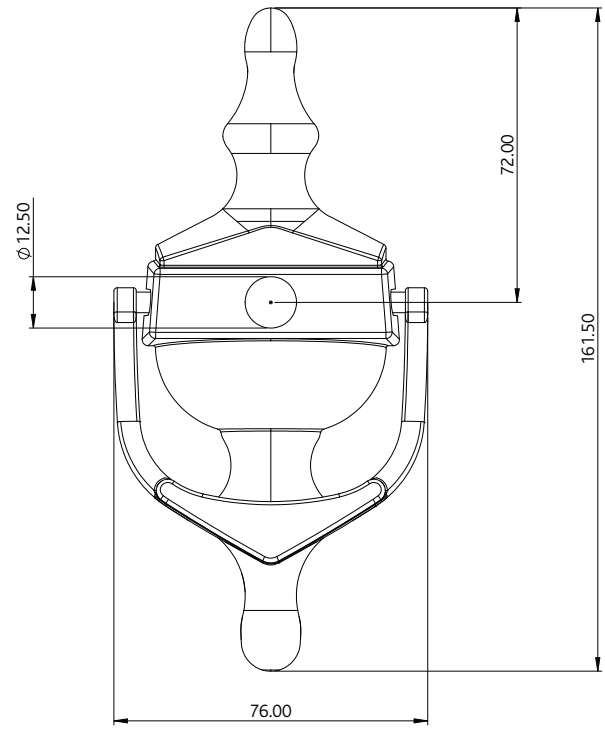
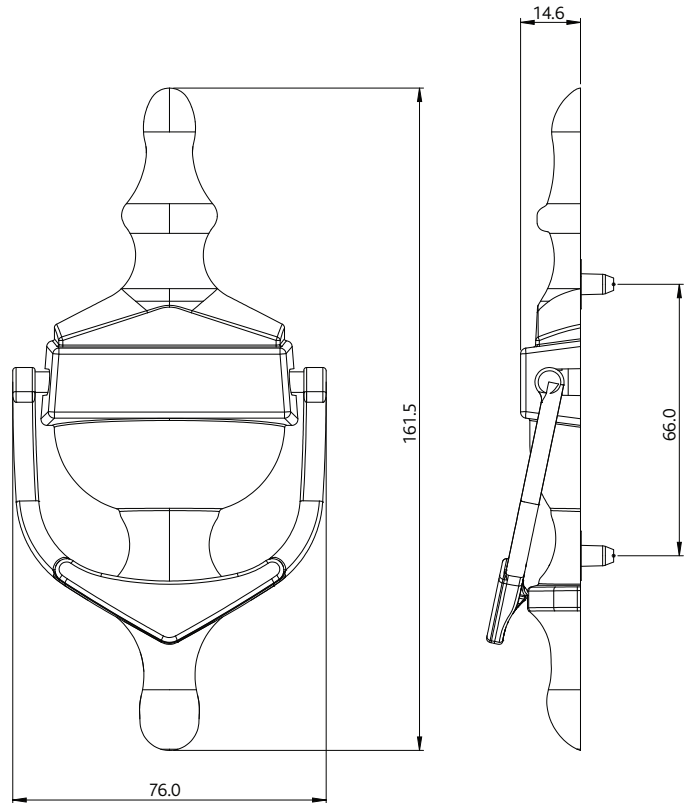
Ordering Details		
Product	Part No.	
Decorative Urn Door Knocker		
Finish	No Spyhole	With Spyhole
White	DFNKNEWH	DFNKNEPWH
Black	DFNKNEBK	DFNKNEPBK
Polished Gold	DFNKNEPG	DFNKNEPPG
Polished Chrome	DFNKNEPC	DFNKNEPPC
Satin Chrome	DFNKNECSC	DFNKNEPSC

For additional part numbers please contact our sales office.

Technical Information	
<b>Corrosion resistance</b>	
Meets the requirements of BS EN 1670 Grade 4 (240 hours)	
<b>Material Specification</b>	
Knocker:	High quality Zinc
Coatings:	White and Black powder painted coated. Polished Gold, Chrome and Satin Chrome Plate, electroplated

Maintenance
For continued protection of the quality finish and appearance, we advise routine cleaning of all our external hardware. We recommend wiping it with a clean cloth soaked in warm water and mild detergent every month. Please refrain from using heavy-duty cleaners, containing Chlorine or Potassium. Moving parts should also be lightly lubricated using a light non-acidic mineral oil (e.g., "3 in 1") at least twice per year. The product may need to be adjusted and fixings tightened to ensure a satisfactory operation. This procedure is particularly essential if products are used within a 25-mile radius of coastal areas or close proximity to building sites or large industrial areas, where more frequent cleaning may be required to prevent the accumulation of corrosive contaminants.

Packaging
<b>Knocker</b> Individually bagged with fixings. 20 knockers in an outer box.



All dimensions are in mm and are nominal. ERA reserves the right to change specification without notice. It is the responsibility of the door manufacturer to ensure that the finished product meets any required safety and performance specification.