



FULCRA HINGES

Functions

Clamp door hinge for profile with channel and adjustable in three directions (height, width and compression).

Thanks to the innovative adjustment system (patented) the two hinge bodies are always kept in line regardless of the sideways shift performed.

Online data sheet



Technical Features

Hinge suitable for doors subject to intensive use (use category 4* - heavy duty use).

The innovative adjustment system (patented) makes it easier and more accurate to align the sash to the frame, always ensuring the perfect alignment of the two hinge bodies.

Fixing plates of special geometry guarantee the firmest possible attachment on both sides of the profile channel.

The additional strengthening screws on the frame plate increase the slip resistance.

The height adjustment device also acts as an axial bearing, increasing the resistance to fatigue of the hinge (durability grade 7* - 200,000 opening cycles).

Adjustments in the three directions:

- Side adjustment (± 2 mm.), using an Allen key on the eccentric pin, then locking it in the desired position by means of two grub screws.
- Height adjustment ($0/+ 3$ mm.), using an Allen key on the grub screw integral with the frame hinge body.
- Compression adjustment ($\pm 0,5$ mm.), obtainable by turning the eccentric bush in the frame hinge body.

(*) Complies with EN1935

Materials

Extruded aluminium hinge bodies

Stainless steel pin

Zamak grub screw for vertical adjustment with sealed galvanised finish

Stainless steel fixing plates, grub screws and screws

Eccentric technopolymer bush

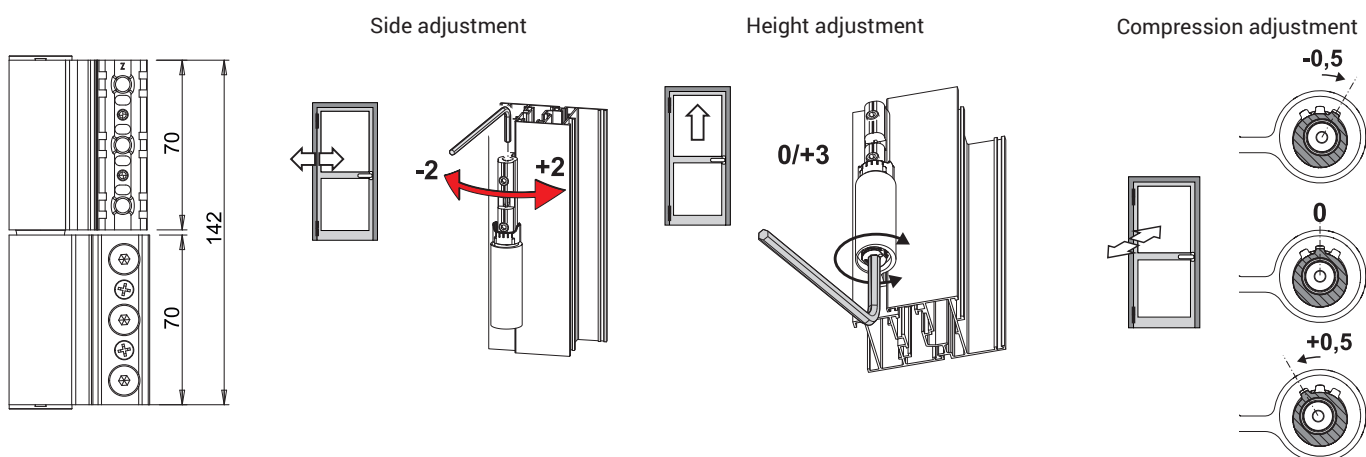
Polyamide plugs and centering bushing

Capacities

120 kg with 2 hinges

150 kg with 3 hinges

CE Mark in compliance EN1935



Item code	Description	PROFILE CROSS - SECTION	Flush opening	Opening	Load capacity 2 hinges [kg]	Load capacity 3 hinges [kg]	CE marking	Base Raw	Anodised Elox	Painted	Trend/Gold Brass	Pieces per pack
00700	FULCRA HINGE EURO GROOVE	C001	-	Internal	120	150	Class 13	X	X	X	X	10
00701	FULCRA HINGE R40	C007-C008	-	Internal	120	150	Class 12	X	X	X	X	10
00702	FULCRA HINGE OUTWARD OPENING EURO GROOVE	see Where Used	Yes	External	100	120	Class 11	X	X	X	X	10
00703	FULCRA ALU 16 HINGE	see Where Used	-	Internal	110	130	Class 12	X	X	X		10