

Standard Euro Cylinder Pull and Escutcheon



Features

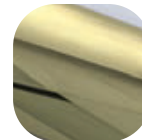
- **Stylish standard euro cylinder pull and escutcheon**
For use with a Euro profile cylinder
- **Provides an easy method of closing the door upon exit**
Ergonomically designed finger pull for ease of operation
- **Internal rounded escutcheon slides easily onto the fixing plate**
Finishes the door internally
- **All parts for a door included within one package**
Supplied as a pair external cylinder pull and internal escutcheon boxed together with screws for 42-48mm doors
- **Designed for Composite, Timber and PVCu doors**
To suit all door materials
- **Available in the complete range of Hardex finishes**
Perfectly matching to the full Fab&Fix range of products
- **Through fixing**
Easily retro-fittable and suitable for all locking mechanisms. Screw centres perfectly align with key wind up, Heritage and Slam Shut door locking systems
- **Secure Fixing Lug**
Prevents removal of external escutcheon from the door



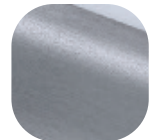
Hardex Chrome



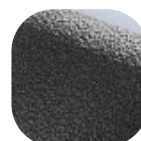
Hardex Bronze



Hardex Gold



Hardex Graphite



Antique Black



White



Black



Hardex Rose

Standard Euro Cylinder Pull and Escutcheon

Ordering Details

Product

Standard Euro Cylinder Pull and Escutcheon

Finish Part No.
42-48mm doors

Hardex Chrome	4F802
Hardex Bronze	4F803
Hardex Gold	4F804
Hardex Graphite	4F805
Hardex Rose	DFNESPEHR
Antique Black	4F806
White	4F800
Black	4F801

Technical Information

Corrosion resistance

Meets the requirements of BS EN 1670:2007 Grade 5 (480 hours)

Material Specification

Cylinder Pull:	High quality Zinc
Escutcheon:	High quality Zinc
Coatings:	Hardex Chrome, Hardex Bronze, Hardex Gold, Hardex Graphite, Hardex Rose, Antique Black, Black and White

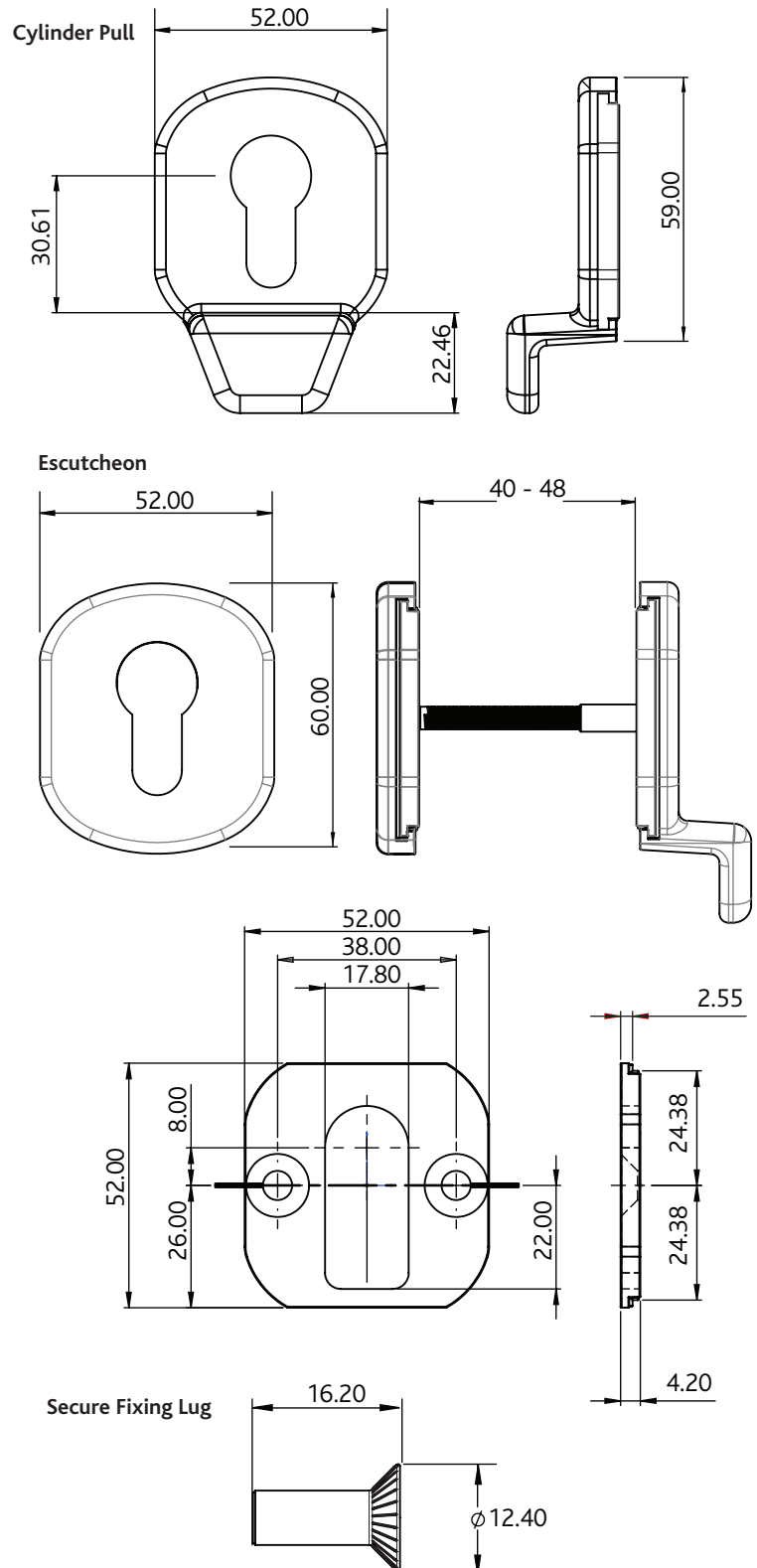
Maintenance

For continued protection of the quality finish and appearance, we advise routine cleaning of all our external hardware. We recommend wiping it with a clean cloth soaked in warm water and mild detergent every month. Please refrain from using heavy-duty cleaners, containing Chlorine or Potassium. Moving parts should also be lightly lubricated using a light non-acidic mineral oil (e.g., "3 in 1") at least twice per year. The product may need to be adjusted and fixings tightened to ensure a satisfactory operation. This procedure is particularly essential if products are used within a 25-mile radius of coastal areas or close proximity to building sites or large industrial areas, where more frequent cleaning may be required to prevent the accumulation of corrosive contaminants.

Packaging

Euro Cylinder Pull and Escutcheon

Individually boxed with screws.
20 per box.



All dimensions are in mm and are nominal.
Fab&Fix reserves the right to change specification without notice
It is the responsibility of the door manufacturer to ensure that the finished product meets any required safety and performance specification.