

## Pembroke External Blank Plate With Internal Lever

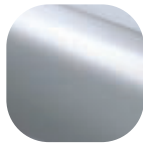


### Features

- **Solid die cast Zinc construction**  
Heavyweight handle with sturdy feel
- **Sculpted ergonomic internal D ring handle with external blanking plate**  
Internal and external parts as a perfectly matching set
- **Non handed design**  
D ring handles can easily be reversed
- **Includes screw and spindle pack to suit 40-70mm profiles**  
Everything needed for installation included
- **Colour coordinated screw heads**  
Perfectly matching hardware, even down to the smallest details
- **Integral latch lever**  
Enables keyless secondary locking
- **Supplied with care instructions**  
Helps the homeowner to keep the hardware in optimal condition
- **Each part packaged in a separate chamber, but supplied as a set**  
No scratching of parts during transit



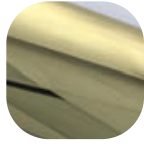
Hardex Chrome



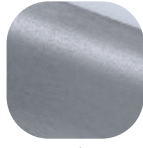
Hardex Satin



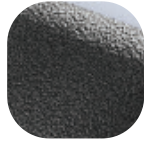
Hardex Bronze



Hardex Gold



Hardex Graphite



Antique Black



Black



White

### Pembroke External Blank Plate With Internal Lever

#### Ordering Details

#### Product

**Pembroke External Blank Plate With Internal Lever**

#### Finish

#### Part No.

Hardex Chrome	1M095
Hardex Satin	1M100
Hardex Bronze	1M098
Hardex Gold	1M096
Hardex Graphite	1M097
Antique Black	1M099
White	1M093
Black	1M094

#### Technical Information

##### Corrosion resistance

Meets the requirements of BS EN 1670:2007 Grade 5 (480 hours)

##### Material Specification

Handle Grip and Backplate:	High quality Zinc for all finishes
Coatings:	Hardex Chrome, Hardex Satin, Hardex Bronze, Hardex Gold, Hardex Graphite, Antique Black, White and Black.
Spindle / Screws:	Machine screws with colour coordinated heads for handle. 40mm - 70mm profiles (1 x 7mm x 75mm spindle, 1 x 7mm x 85mm spindle, 1 x 7mm x 95mm spindle; 2 x M5 x 58mm screws, 2x M5 x 70mm screws and 2 x M5 x 80mm screws)
Cylinder:	Euro Cylinder, 92mm PZ

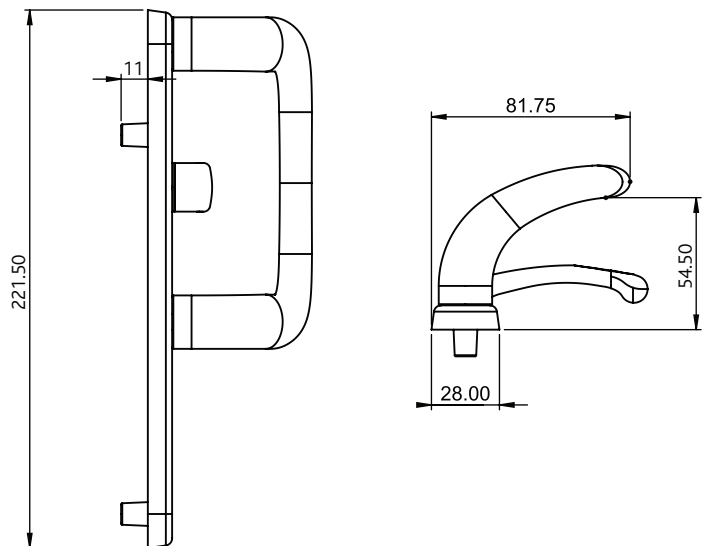
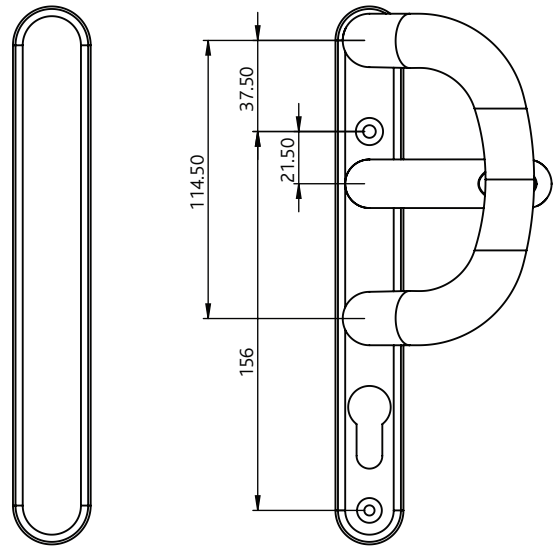
#### Maintenance

For continued protection of the quality finish and appearance, we advise routine cleaning of all our external hardware. We recommend wiping it with a clean cloth soaked in warm water and mild detergent every month. Please refrain from using heavy-duty cleaners, containing Chlorine or Potassium. Moving parts should also be lightly lubricated using a light non-acidic mineral oil (e.g., "3 in 1") at least twice per year. The product may need to be adjusted and fixings tightened to ensure a satisfactory operation. This procedure is particularly essential if products are used within a 25-mile radius of coastal areas or close proximity to building sites or large industrial areas, where more frequent cleaning may be required to prevent the accumulation of corrosive contaminants.

#### Packaging

##### Handles

Individually bagged with screws, spindle and care instructions.  
8 handles in an outer box.



Please note all handles are supplied right handed (as pictured above), viewed from outside. Handles are easily re-handed as required.

All dimensions are in mm and are nominal.

Fab&Fix reserves the right to change specification without notice. It is the responsibility of the door manufacturer to ensure that the finished product meets any required safety and performance specification.