

## Heavy Duty Type P Austenitic Friction Stay



### Features

- High quality 304 Austenitic Stainless Steel for long life performance and enhanced corrosion resistance in accordance with BS EN 10088-2:2014
- Suitable for larger vents where extra weight carrying support is required from the friction stays
- Durable and reliable design
- Rigorously tested in accordance with BS EN 13126-6:2008 and BS 6375-1:2009 to ensure maximum carrying weights in maximum size windows meet the criteria for lasting safe performance of the stay
- Asymmetrical geometry of arms improves engagement
- Adjustable grub screw to control friction
- Available in Top Hung (10" - 28")
- 23mm wider track to support the extra carrying weights up to 155kg on 28" top hung hinges
- 16.5mm stack height
- PAS 024 security performance can be obtained in conjunction with a hingeuard in a compliant window system
- The hingeuard is designed to only engage when the window is under attack and prevents disengagement by supporting the friction hinge
- Window restriction can be achieved using a separate restrictor



Hingeuard Elite



Restrictor Stay

### Technical Information

#### Corrosion resistance

Meets the requirements of BS EN 1670:2007 Grade 5 (480 hours)

#### Performance

Tested to 25,000 cycles of opening in accordance with BS EN 13126-1:2009 - par. 7.7.1

### Material Specification

Bars, Arms and Rivets:	Stainless Steel BS EN 10088-2:2005 Austenitic (304)
Slider:	Polyamide and 304 Stainless Steel
Friction Cam:	Zinc to BS EN 1774:1998

## Heavy Duty Type P Austenitic Friction Stay

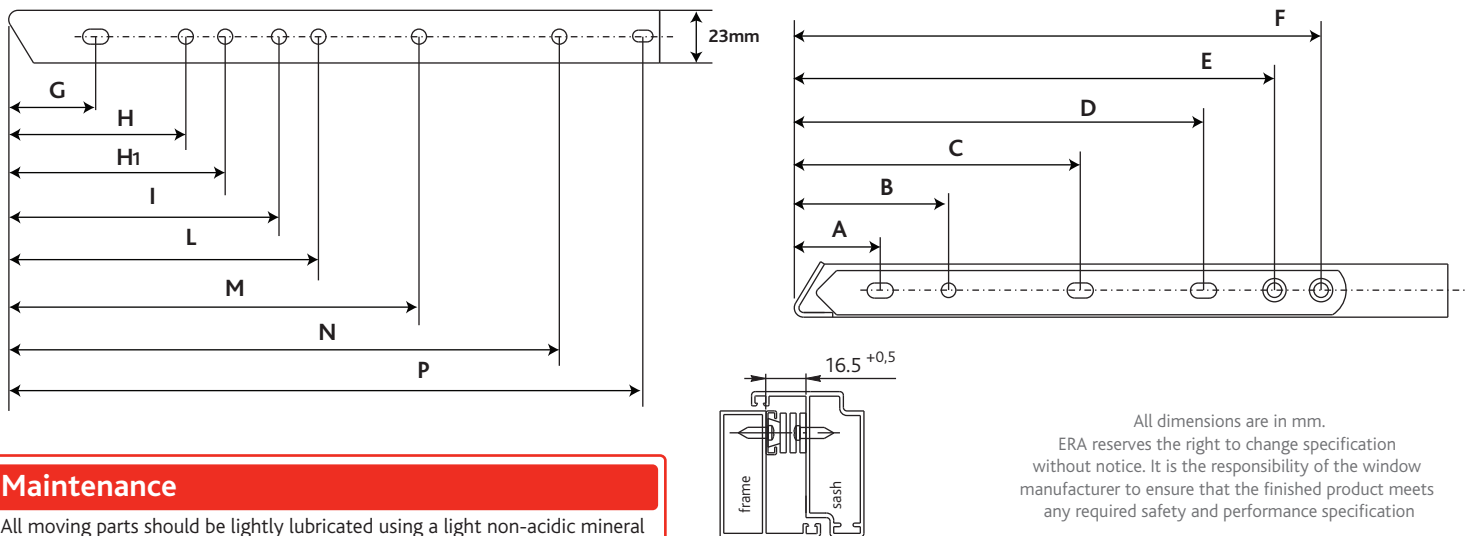
### Ordering Details

#### Heavy Duty, P Type, Top Hung 16.5mm Stack

Size (mm)	Nom Inch	Approx. Opening Angle	Max Width (mm)	Max Height (mm)	Max Sash Weight (kg)	Box Quantity (pairs)	Box Weight (kg)	Part No.
261mm	10"	35°	700	1200	50	6	3.4	G08534000N
317mm	12"	30/35°	800	1200	60	6	4.1	G08535000N
353mm	14"	30/35°	1000	1300	69.5	6	4.4	G08536000N
414mm	16"	30/35°	1200	1400	88.5	6	5.1	G08537000N
458mm	18"	25/30°	1400	1400	102	6	6.8	G08538000N
511mm	20"	25/30°	1600	1500	135	6	7.5	G08539000N
556mm	22"	20/25°	1700	1500	137	6	8	G08540000N
602mm	24"	20/25°	1800	1500	139	6	8.6	G08541000N
707mm	28"	10/15/20°	2000	1500	155	6	10.1	G08542000N

### Dimensions

Size (mm)	Nom Inch	Dim A	Dim B	Dim C	Dim D	Dim E	Dim F	Dim G	Dim H	Dim H1	Dim I	Dim L	Dim M	Dim N	Dim P
261mm	10"	44	58	-	109	149	169	35.5	-	-	-	173.5	-	204.5	253.5
317mm	12"	44	58	-	129	169	189	35.5	-	166	181	199.5	-	260.5	309.5
353mm	14"	44	58	-	154	194	214	35.5	-	176.5	195.5	214	-	296.5	345.5
414mm	16"	44	58	-	189	229	249	35.5	-	187.5	211	229.5	-	357.5	406.5
458mm	18"	44	58	99	222	262	282	35.5	-	178.5	203.5	222	266.5	401.5	450.5
511mm	20"	44	58	99	249	289	309	35.5	-	183.5	210	228.5	319.5	454.5	503.5
556mm	22"	44	58	99	279	319	339	35.5	-	167.5	192.5	211	364.5	499.5	548.5
602mm	24"	44	58	99	301	341	361	35.5	-	169.5	195.5	214	410.5	545.5	594.5
707mm	28"	44	58	99	364	404	424	35.5	193	210	234	252.5	515.5	650.5	699.5



### Maintenance

All moving parts should be lightly lubricated using a light non-acidic mineral oil (e.g. "3 in 1") twice per year and the surface cleaned with a soft damp cloth. The product may need to be adjusted and fixings tightened to ensure a satisfactory operation.

All dimensions are in mm.  
ERA reserves the right to change specification without notice. It is the responsibility of the window manufacturer to ensure that the finished product meets any required safety and performance specification