

Push Button Digital door Lock



Features

- Fully mechanical access control solution designed for low usage application such as store cupboards , staff only areas, IT rooms or office doors
- Keyless operation, no keys required
- Easy to operate and programme using the keypad
- Over 5,000 codes to choose from to provide greater security
- Suitable for internal and external application
- Passage function so the door can be opened using just the handle when restricted access is not required
- Suitable for door thickness 35-50mm
- Maximum 7 digit code, minimum 1 digit



Oval Handle

Push Button Digital Door Lock

Ordering Details

Push Button Door Lock

Product	Part No.
Oval Handle without hold back (Boxed)	
Satin Chrome	3002-35-1A
Polished Chrome	3002-37-1A
Oval Handle with hold back (Boxed)	
Satin Chrome	3003-35-1A
Polished Chrome	3003-37-1A
Oval Handle with hold back (Retail Boxed packed)	
Satin Chrome	3003-35-7

Maintenance

Wipe the surface periodically with a soft cloth to remove excess grease or moisture.

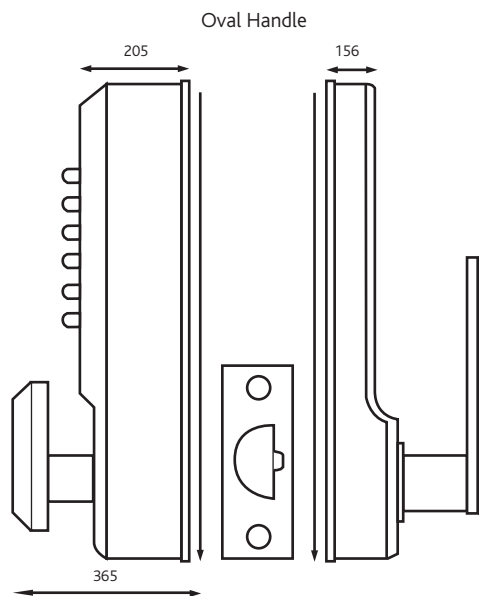
Packaging

Boxed version

1 lock per inner box, 10 locks per outer box

Retail Boxed version

Cardboard packaging with euro hooks. 1 lock per retail box. 1.19Kg per item.



All dimensions are in mm and exclude weatherseal.
ERA reserves the right to change specification without notice.
It is the responsibility of the door manufacturer to ensure that the finished product meets any required safety and performance specification