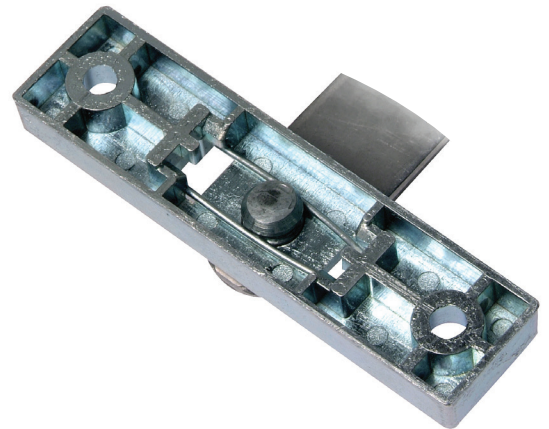


### Door Restrictor



### Features

- The ERA door restrictor has been designed to limit the opening of a door to a define angle, which can be adjusted
- Variable friction can be applied to the slider block (located on the restrictor arm) to prevent the door from slamming in windy conditions
- The aluminium channel and universal frame bracket have been designed to suit most PVCu profiles
- For ease of installation, the bracket has the added feature of a release mechanism which allows the defined angle to be overridden if required
- The restrictor arm is mounted in the sash's eurogroove where the friction can be adjusted with the use of a straight blade screwdriver
- Choose opening angle on installation
- Eurogroove fitting
- Universal frame bracket
- Adjustable friction control



Release Spring Clip

## Door Restrictor

### Ordering Details

#### Door Restrictor

Product	Part No.
Door Restrictor	DADRSS0002A

### Technical Information

#### Corrosion resistance

Meets the requirements of BS EN 1670: 2007 Grade 3 (96 hours)

#### Operation

Tested to 10,000 cycles

### Material Specification

Restrictor Arm:	Stainless Steel (430)
Channel:	Aluminium
Frame Bracket:	Zinc Alloy
Slider Blocks:	Delrin
Fixing Blocks:	Nylon

### Packing Information

#### Box Quantity

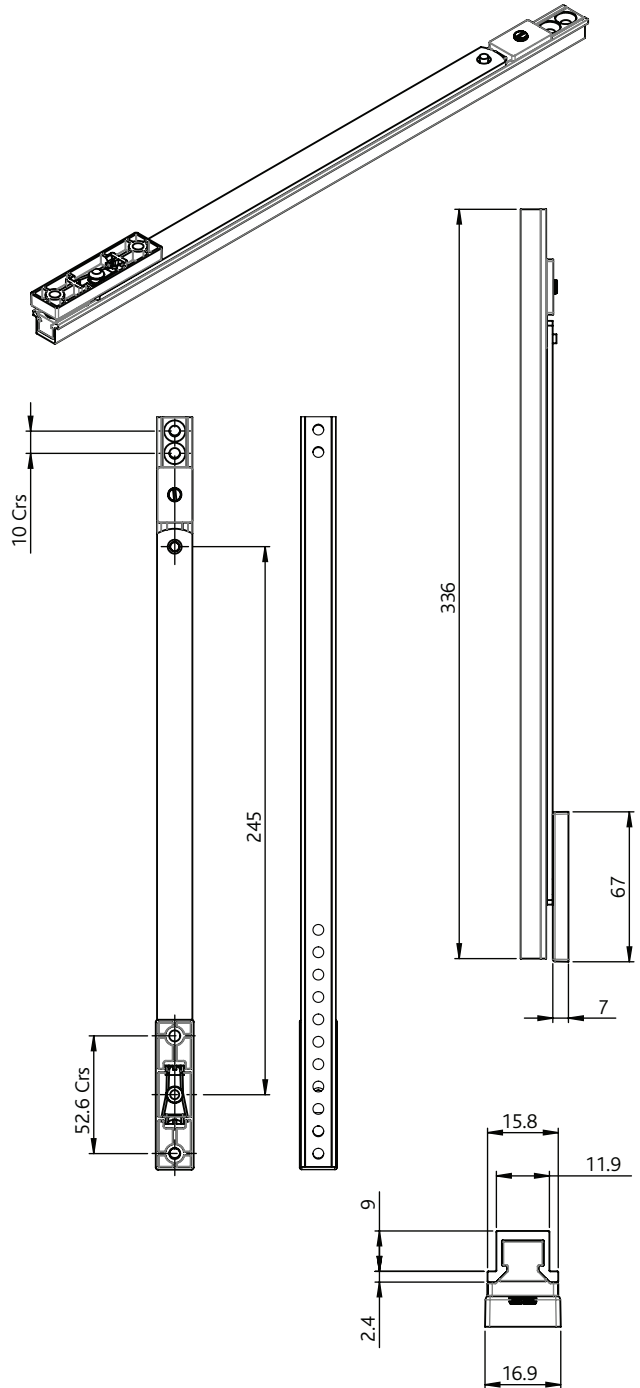
10

#### Outer Carton Quantity

100

### Maintenance

The mechanism is self-lubricating, but can be lightly lubricated twice per year and the surface cleaned with a soft damp cloth to remove any dust or grime. The product should be periodically adjusted and fixings tightened to ensure a satisfactory operation.



All dimensions are in mm.

ERA reserves the right to change specification without notice.

It is the responsibility of the door manufacturer to ensure that the finished product meets any required safety and performance specification