

Architectural Dummy Lever

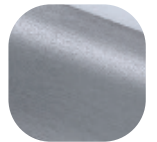


Features

- **Solid die cast construction with weight balanced spring cassette**
Sturdy feel and consistent 90 degree lever return
- **Flexible purpose component**
Enables all aspects of a job to be completed as a perfectly matching set
- **Sculpted ergonomic lever and low friction nylon bush**
Easy to grip and smooth action
- **Wide backplate**
To suit accommodate larger cylinder preparation
- **Standard handle supplied with screw and spindle pack to suit both 44mm and 70mm profiles**
Everything needed for installation included
- **Baseplate in common with all Architectural handles**
Same routing detail regardless of product variant chosen
- **Colour coordinated screw heads**
Perfectly matching hardware, even down to the smallest details
- **Supplied fully assembled**
Simple and quick installation, no need to fit springs or lever
- **Each part packaged in a separate chamber, but supplied as a set**
No scratching of parts during transit
- **Supplied with fixing kit**
Ability to make external lever fixed if required



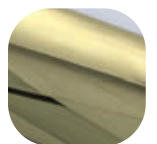
Hardex
Chrome



Hardex
Graphite



Hardex
Bronze



Hardex
Gold

Architectural Dummy Lever Lever

Ordering Details

Product

Architectural Dummy Lever Lever

Finish

Part No.

Hardex Chrome	1W200
Hardex Bronze	1W201
Hardex Gold	1W202
Hardex Graphite	1W203

Technical Information

Corrosion resistance

Meets the requirements of BS EN 1670 Grade 5 (480 hours)

Operation

Endurance tested in excess of 50,000 cycles

Performance

Tested to meet the requirements of PAS 24 as part of a compliant door set

Material Specification

Handle Grip and Backplate: High quality Zinc for all Hardex finishes

Coatings: Hardex Chrome, Hardex Bronze, Hardex Gold and Hardex Graphite

Spindle / Screws: Machine screws with colour coordinated heads for handle.
70mm profiles (1 x 8mm x 125mm spindle; 2x M5 x 80mm screws)
44mm profiles (1 x 8 x 110mm spindle; 2x M5 x 55mm screws)

Cylinder: Euro Cylinder, 92mm PZ

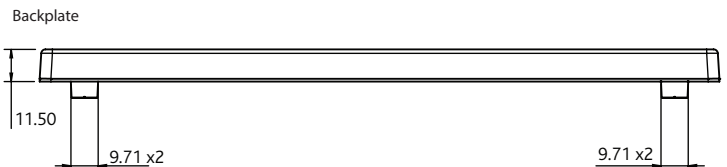
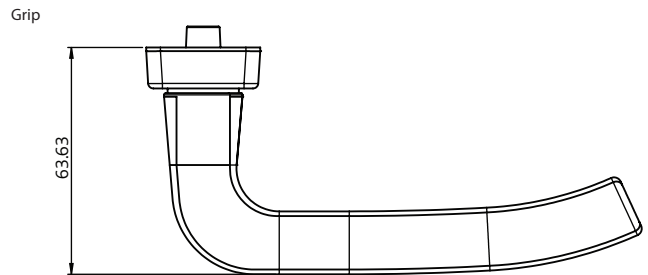
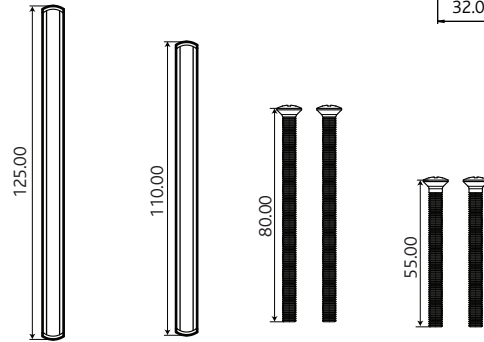
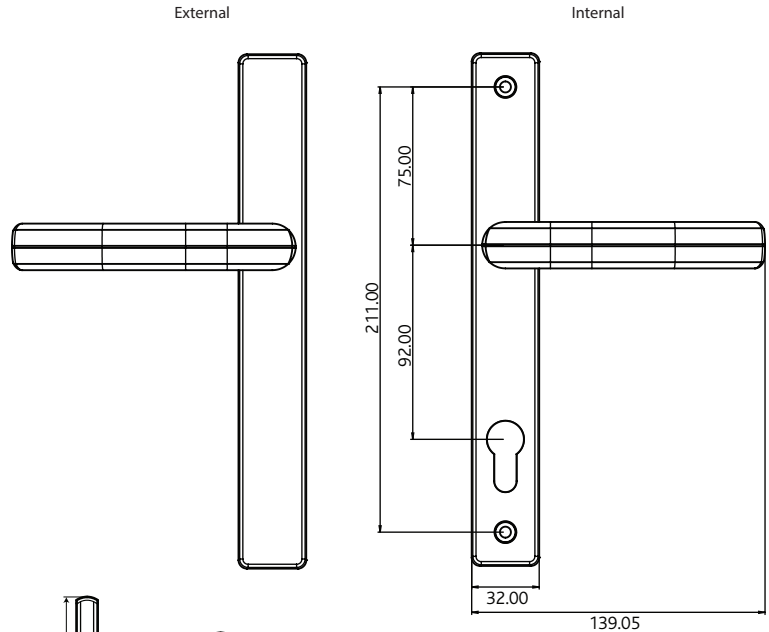
Maintenance

For continued protection of the quality finish and appearance, we advise routine cleaning of all our external hardware. We recommend wiping it with a clean cloth soaked in warm water and mild detergent every month. Please refrain from using heavy-duty cleaners, containing Chlorine or Potassium. Moving parts should also be lightly lubricated using a light non-acidic mineral oil (e.g., "3 in 1") at least twice per year. The product may need to be adjusted and fixings tightened to ensure a satisfactory operation. This procedure is particularly essential if products are used within a 25-mile radius of coastal areas or close proximity to building sites or large industrial areas, where more frequent cleaning may be required to prevent the accumulation of corrosive contaminants.

Packaging

Handles

Individually bagged with screws, spindle and care instructions. 8 handles in an outer box.



All dimensions are in mm and are nominal. Fab&Fix reserves the right to change specification without notice. It is the responsibility of the door manufacturer to ensure that the finished product meets any required safety and performance specification.