

Cadenza Window Handle



Features

- Locking solutions for aluminium windows
- A unique espagnolette handle design developed specifically for slim aluminium window profiles
- Features a robust grip designed for both residential and commercial applications
- The gearing mechanism is self-contained within the handle operating a slide bar which locates into drive pins on the reverse side of an espagnolette bar
- Provides a simple yet stylish and secure locking handle for slimline casement window design

Technical Information

Corrosion resistance

Meets the requirements of BS EN 1670:2007 Grade 3 (96 hours)

Operation

Endurance tested in excess of 25,000 cycles

Material Specification

Handle Grip & Back Plate:	Zinc Alloy Castings to BS EN 12844:1999
Coatings:	White and Black Powder Paint Polished Gold, Chrome and Satin Chrome Plate, electroplated to BS EN 12540:2000
Cylinder:	Zinc Alloy Casting and Nickel Plate
Button:	Acetal (POM) Black
Screw Cover:	Coloured moulding

Cadenza Window Handle

Ordering Details

Cadenza Window Handle

Finish	Part No.	
Locking	Left Hand	Right Hand
Black	WHCA2BKxxLLBBC	WHCA2BKxxRLBBC
Chrome	WHCA2CHxxLLBBC	WHCA2CHxxRLBBC
Gold	WHCA2MGxxLLBBC	WHCA2MGxxRLBBC
Satin Chrome	WHCA2SPxxLLBBC	WHCA2SPxxRLBBC
White (Black Gasket)	WHCA2WHxxLLBBC	WHCA2WHxxRLBBC
White (White Gasket)	WHCA2WHxxLLBWC	WHCA2WHxxRLBWC
Non Locking	Left Hand	Right Hand
Black	WHCA2BKxxLNBBC	WHCA2BKxxRNBBC
Chrome	WHCA2CHxxLNBBC	WHCA2CHxxRNBBC
Gold	WHCA2MGxxLNBBC	WHCA2MGxxRNBBC
Satin Chrome	WHCA2SPxxLNBBC	WHCA2SPxxRNBBC
White (Black Gasket)	WHCA2WHxxLNBBC	WHCA2WHxxRNBBC
White (White Gasket)	WHCA2WHxxLNBWC	WHCA2WHxxRNBWC

Slide Options

18mm, 48mm

NB: Add 'xx' slide length to complete code

i.e. Cadenza White 48mm, Left Hand, Locking: WHCA2WH48LLBBC

Accessories

Finish	Non-Locking Plug (converts a locking handle to a non locking)	Screws Covers
White	WAGRWH14801	WACCWH5935
Black	WAGRBL14801	WACCB5935
Key	WAKENK5877	

Maintenance

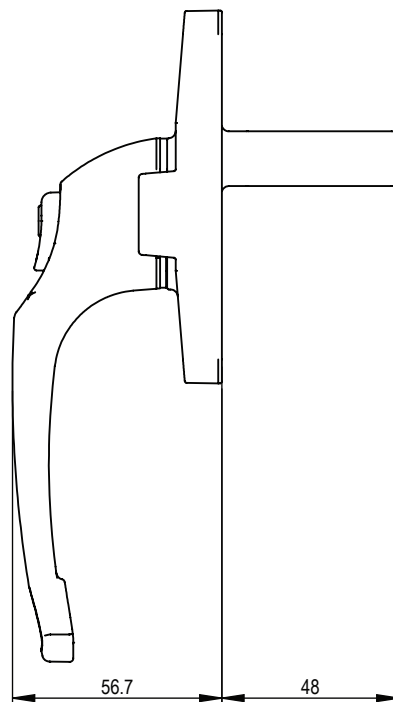
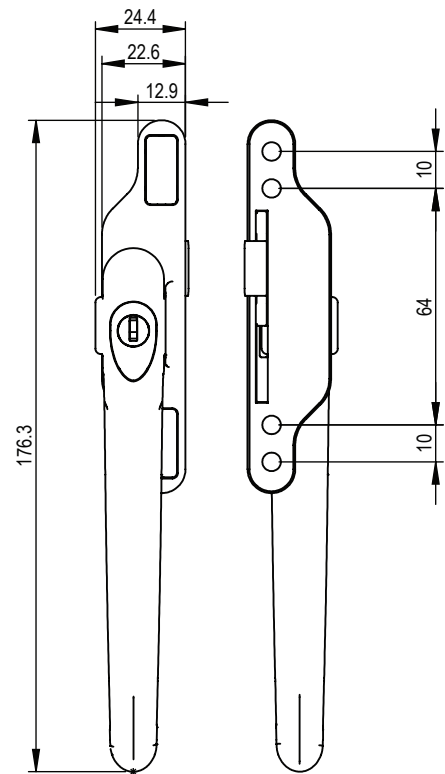
All handles should be lightly lubricated twice a year and the surface cleaned with a soft damp cloth to remove any dust or grime, taking care not to scratch the surface finish.

Packaging

Handles

25 handles per box

All handles supplied with keys (where appropriate) and screw covers



All dimensions are in mm and are nominal.

ERA reserves the right to change specification without notice. It is the responsibility of the window manufacturer to ensure that the finished product meets any required safety and performance specification.