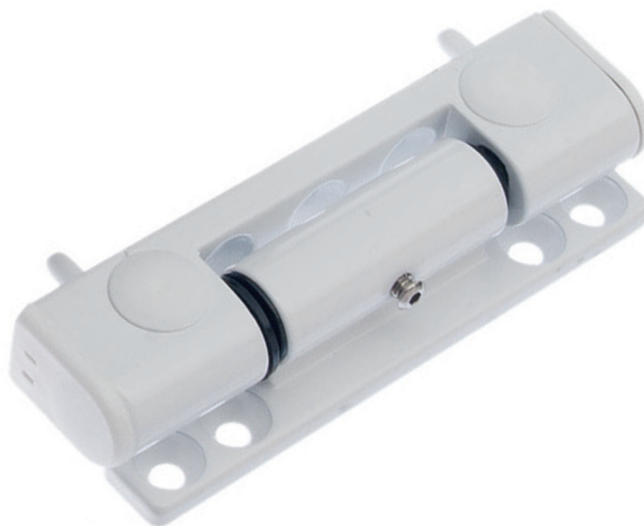


Challenger Side Fitting



Features

- Engineered with a unique 3D adjustability for ease of application and long term trouble-free performance
- Available in 0 degree
- 3D adjustment for lateral, height and compression may be carried out whilst the door is closed
- Security of the pin is achieved by a concealed grub screw fixing protected by the closed door
- Finishes available - White, Brown, Light Brown, Gold and Gold PVD

Challenger Side Fitting

Ordering Details

Challenger Side Fit

Product	Part No.	
Finish	Body	Flag 0°
White	DNCBWH0001	DNCGWH0005
Brown	DNCBBN0001	DNCGBN0005
Light Brown	DNCBLB0001	DNCGLB0005
Gold	DNCBGD0001	DNCGGD0005
PVD Gold	DNCBDG0001	DNCGDG0005

Accessories

Accessories	Part No.
Fixing Jig	DAJGBL0001

Technical Information

Corrosion resistance

Meets the requirements of BS EN 1670:1998- White/Brown polyester powder paint & PVD Zircon Gold - 240 hours, Electroplated Gold - 96 hours

Operation

Endurance tested to over 50,000 cycles

Max Weight Per Door

3 hinges up to 100kg

Adjustability

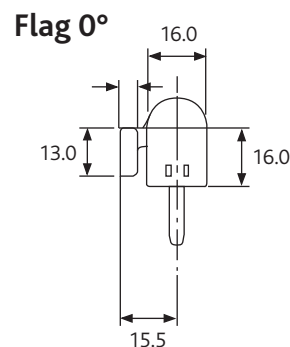
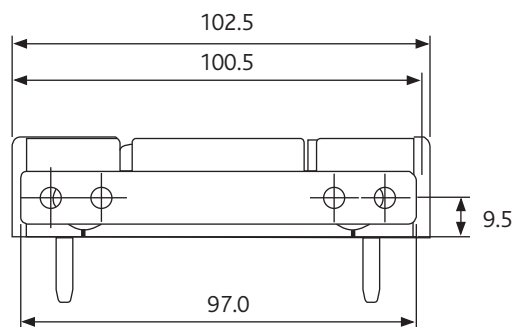
Lateral +2mm/-2mm, Height +3mm, Compression -0.5mm/+0.5mm

Material Specification

Hinge Body:	Zinc alloy casting
Side Fit:	Zinc alloy casting
Coatings:	Gold - Electroplated F913 Brown - Powder Paint RAL 8019 Light Brown - Powder Paint RAL 8001 Zircon Gold - PVD White - Powder coated White
Hinge Pins:	Stainless Steel
Grub Screw:	Stainless Steel
Bushes:	Black POM (Acetal)
Cover Caps:	White, brown or black POM (Acetal)
Packers:	White, brown or black PA Nylon

Maintenance

For continued protection of the quality finish and appearance, we advise routine cleaning of all our external hardware. We recommend wiping it with a clean cloth soaked in warm water and mild detergent every month. Please refrain from using heavy-duty cleaners, containing Chlorine or Potassium. Moving parts should also be lightly lubricated using a light non-acidic mineral oil (e.g., "3 in 1") at least twice per year. The product may need to be adjusted and fixings tightened to ensure a satisfactory operation. This procedure is particularly essential if products are used within a 25-mile radius of coastal areas or close proximity to building sites or large industrial areas, where more frequent cleaning may be required to prevent the accumulation of corrosive contaminants.



Not to scale.

All dimensions are in mm and are nominal.

ERA reserves the right to change specification without notice. It is the responsibility of the door manufacturer to ensure that the finished product meets any required safety and performance specification.

Packaging

Hinge
Individually packed, 24 hinges per box (Fixing screws not supplied)