

Farnham Inline Snib Lever Lever



Features

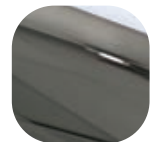
- **68mm PZ door handle**
Compatible with 68mm PZ Fullex door locks
- **Solid die cast zinc construction with heavy duty spring cassette**
Sturdy feel and consistent 90 degree lever return
- **Sculpted ergonomic lever and low friction nylon bush**
Easy to grip and smooth action
- **Supplied with screw and spindle pack to suit 44-70mm profiles**
Everything needed for installation included
- **Colour coordinated screw heads**
Perfectly matching hardware, even down to the smallest details
- **Baseplate in common with all Farnham handles**
Same routing detail regardless of product variant chosen
- **Wide backplate**
To suit cylinder guards and accommodate larger cylinder preparation
- **Supplied with care instructions**
Helps the homeowner to keep the hardware in optimal condition
- **Supplied fully assembled**
Simple and quick installation, no need to fit springs or lever
- **Silicon Site-Protectors available**
Ensures perfect condition after installation
- **Each part packaged in a separate chamber, but supplied as a set**
No scratching of parts during transit



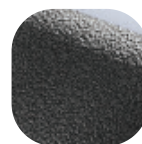
Hardex
Chrome



Hardex
Gold



Hardex
Bronze



Antique
Black



White

Farnham Inline Snib Lever Lever

Ordering Details

Product

Farnham Inline Snib Lever Lever

Finish	Part No.
Hardex Chrome	1Q051
Hardex Bronze	1Q053
Hardex Gold	1Q055
Antique Black	1Q056
White	1Q050

Technical Information

Corrosion resistance

Meets the requirements of BS EN 1670:2007 Grade 5 (480 hours)

Operation

Endurance tested in excess of 200,000 cycles

Material Specification

Handle Grip and Backplate:	High quality Zinc for all finishes
Coatings:	Hardex Chrome, Hardex Bronze, Hardex Gold, Antique Black and White
Spindle / Screws:	Machine screws with colour coordinated heads for handle. 44mm-70mm profiles (1 x 8mm x 110mm spindle, 1 x 8mm x 120mm spindle; 2 x M5 x 55mm screws, 2 x M5 x 70mm screws, 2 x M5 x 80mm screws)
Cylinder:	Euro Cylinder, 68mm PZ

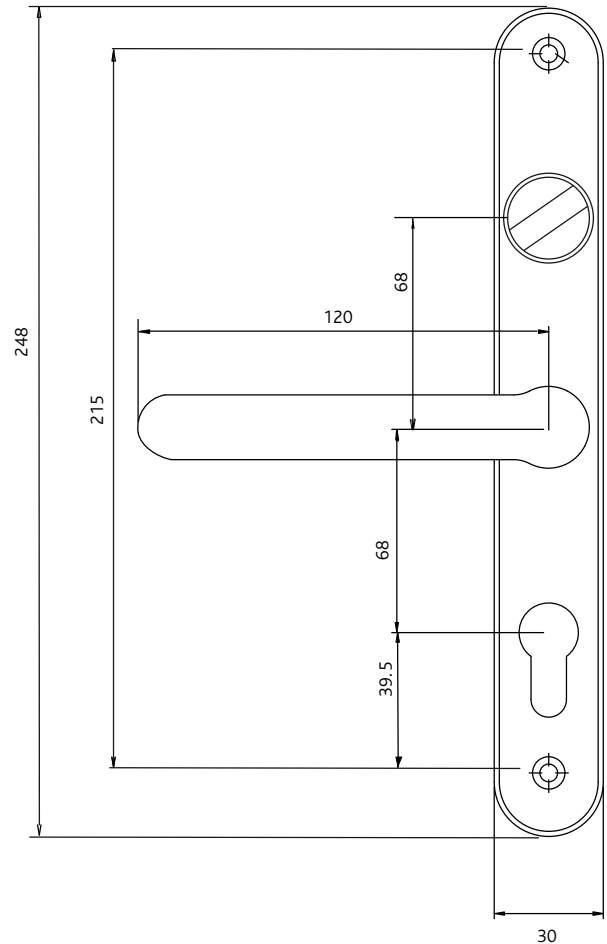
Maintenance

For continued protection of the quality finish and appearance, we advise routine cleaning of all our external hardware. We recommend wiping it with a clean cloth soaked in warm water and mild detergent every month. Please refrain from using heavy-duty cleaners, containing Chlorine or Potassium. Moving parts should also be lightly lubricated using a light non-acidic mineral oil (e.g., "3 in 1") at least twice per year. The product may need to be adjusted and fixings tightened to ensure a satisfactory operation. This procedure is particularly essential if products are used within a 25-mile radius of coastal areas or close proximity to building sites or large industrial areas, where more frequent cleaning may be required to prevent the accumulation of corrosive contaminants.

Packaging

Handles

Individually bagged with screws, spindle and care instructions.
15 handles in an outer box.



All dimensions are in mm and are nominal.
Fab&Fix reserves the right to change specification without notice.
It is the responsibility of the door manufacturer to ensure that the finished product meets any required safety and performance specification.