

### Blenheim Inline Lever

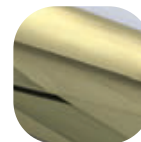


### Features

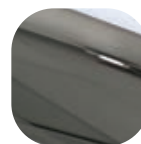
- **Solid die cast construction with heavy duty spring cassette**  
Sturdy feel and consistent 90 degree lever return
- **92mm PZ handle with 240mm screw centres**  
Suits older locking systems
- **Sculpted ergonomic lever and low friction nylon bush**  
Easy to grip and smooth action
- **Supplied with screw and spindle pack to suit 60-70mm profiles**  
Everything needed for installation included
- **Colour coordinated screw heads**  
Perfectly matching hardware, even down to the smallest details
- **Baseplate common with all Blenheim handles**  
Same routing detail regardless of product variant chosen
- **Supplied with care instructions**  
Helps the homeowner to keep the hardware in optimal condition
- **Supplied fully assembled**  
Simple and quick installation, no need to fit springs or lever
- **Silicon Site-Protectors available**  
Ensures perfect condition after installation
- **Each part packaged in a separate chamber, but supplied as a set**  
No scratching of parts during transit



Hardex Chrome



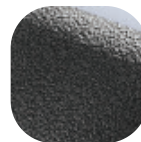
Hardex Gold



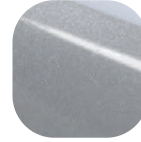
Hardex Bronze



White



Antique Black



Silver



Black

### Blenheim Inline Lever Lever

#### Ordering Details

##### Product

**Blenheim Inline Lever Lever**

Finish	Part No.
Hardex Chrome	1H001
Hardex Bronze	1H003
Hardex Gold	1H005
Antique Black	1H006
White	1C000
Black	1C001
Silver	1C002

For additional part numbers please contact our sales office

#### Technical Information

##### Corrosion resistance

Meets the requirements of BS EN 1670:2007 Grade 5 (480 hours)

##### Operation

Endurance tested in excess of 200,000 cycles

##### Performance

Tested to meet the requirements of PAS 24 as part of a compliant door set

#### Material Specification

**Handle Grip and Backplate:** High quality Zinc for all Hardex finishes and Antique Black. High quality Aluminium for White, Black and Silver finishes

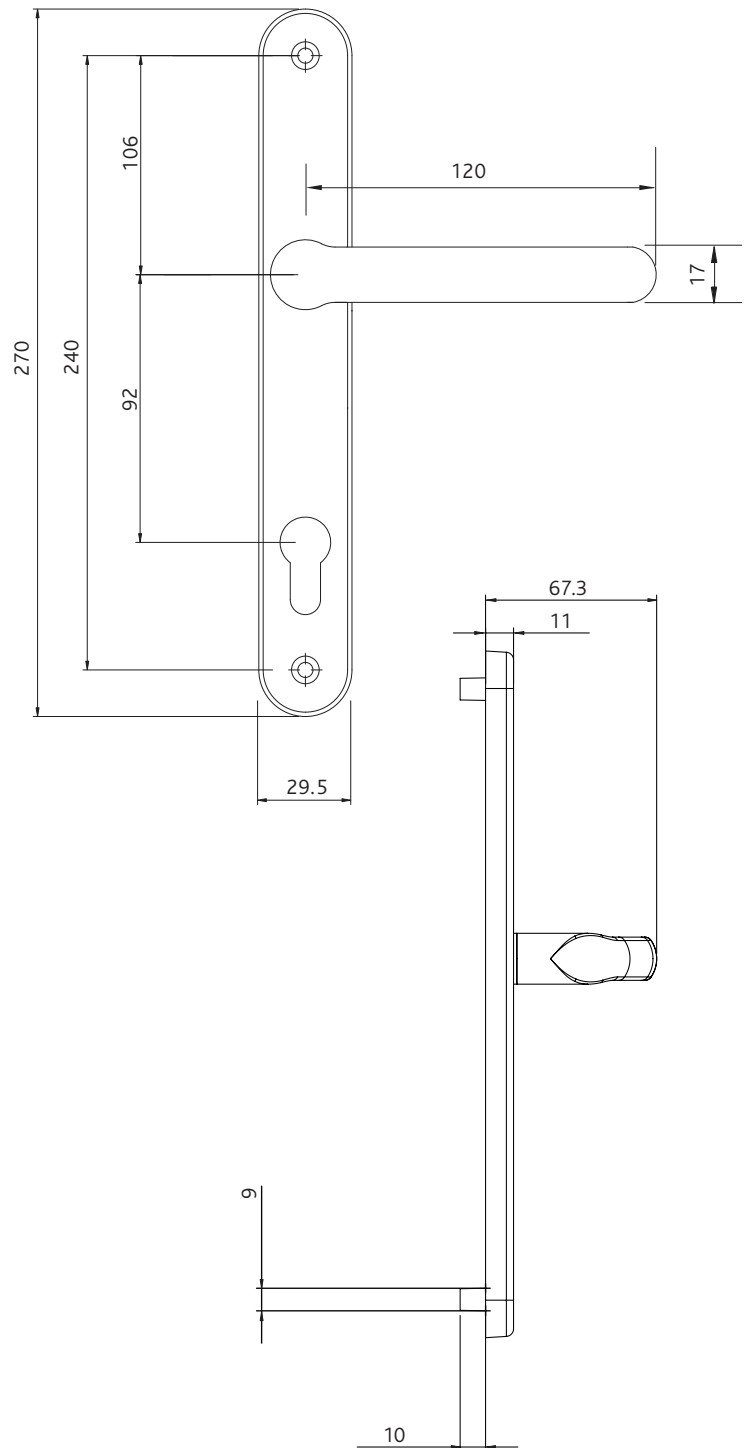
**Coatings:** Hardex Chrome, Hardex Bronze, Hardex Gold, Antique Black, White, Black and Silver

**Spindle / Screws:** Machine screws with colour coordinated heads for handle. 60mm - 70mm profiles (1 x 8mm x 120mm spindle; 2 x M5 x 70mm and 2x M5 x 80mm screws)

**Cylinder:** Euro Cylinder, 92mm PZ

#### Maintenance

For continued protection of the quality finish and appearance, we advise routine cleaning of all our external hardware. We recommend wiping it with a clean cloth soaked in warm water and mild detergent every month. Please refrain from using heavy-duty cleaners, containing Chlorine or Potassium. Moving parts should also be lightly lubricated using a light non-acidic mineral oil (e.g., "3 in 1") at least twice per year. The product may need to be adjusted and fixings tightened to ensure a satisfactory operation. This procedure is particularly essential if products are used within a 25-mile radius of coastal areas or close proximity to building sites or large industrial areas, where more frequent cleaning may be required to prevent the accumulation of corrosive contaminants.



All dimensions are in mm and are nominal.  
 Fab&Fix reserves the right to change specification without notice  
 It is the responsibility of the door manufacturer to ensure that the finished product meets any required safety and performance specification.

#### Packaging

##### Handles

Individually bagged with screws, spindle and care instructions.  
 15 handles in an outer box.