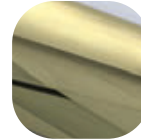


Classic PVCu Door Hinge



Features

- Fully 3D adjustable hinge, for final on-site adjustment to ensure perfect door alignment. Easy adjustment to Vertical (height) +5mm/-0mm; Horizontal (lateral) +5mm/-5mm; and Compression +0mm/-1mm (pin adjustment) or +2mm/-1mm (reverse bushes) with 4mm Allen key
- Discreet, slim aesthetic with double knuckle feature. The sleek design looks great on any style of PVCu, the flag is discreet, and the double knuckle design effectively combats door droop
- Specifically designed hooked flag that wraps around the body to protect the flag when under attack. Protecting the body screw and hinge from access
- Non-handed design supplied fully assembled, for ease and speed of fitting. Fast fix jig available to support during fabrication. You can fit the hinge in under 60 seconds
- Designed specifically for PVCu to covering all major PVCu door profiles, alleviating the need for packers
- Designed to meet the requirements of latest PAS 24: 2022 security standards for doors
- Durable and reliable design suitable for a wide range of applications, cycle tested to over 300,000 cycles and BS EN 1670:2007 NSST 480 hours
- Weight carrying 100Kg with 3 hinges
- Each hinge is supplied with adjustment detail on the face of the hinge proving easy access for the door installer
- Sustainable packaging whether you're looking for a single packed hinge or faster fabrication with line-side bulk packaging
- A choice of perfectly matching finishes to create a beautiful aesthetic, that suite with over 200 door and window hardware furniture from the Fab&Fix range. Plus a range of matching RAL colours to suite with the profile



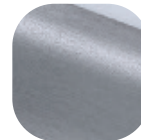
Hardex Gold



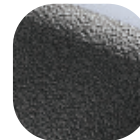
Hardex Chrome



Hardex Bronze



Hardex Graphite



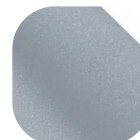
Antique Black



Black



Hardex Pewter



Premium Satin



White



Anthracite Grey



RAL Colour Match



Classic PVCu Door Hinge

Ordering Details

PVCu Door Hinge

| Product | Part No. | | | | | |
|-----------------|------------------|--------------|------------------|--------------|------------------|--------------|
| | Step Height 19mm | | Step Height 21mm | | Step Height 23mm | |
| Finish | Single Pack | Bulk Pack | Single Pack | Bulk Pack | Single Pack | Bulk Pack |
| Hardex Graphite | DHICLGRR19 | DHICLGRR19BU | DHICLGRR21 | DHICLGRR21BU | DHICLGRR23 | DHICLGRR23BU |
| Hardex Chrome | DHICLHCR19 | DHICLHCR19BU | DHICLHCR21 | DHICLHCR21BU | DHICLHCR23 | DHICLHCR23BU |
| Hardex Gold | DHICLHGR19 | DHICLHGR19BU | DHICLHGR21 | DHICLHGR21BU | DHICLHGR23 | DHICLHGR23BU |
| Hardex Bronze | DHICLHBR19 | DHICLHBR19BU | DHICLHBR21 | DHICLHBR21BU | DHICLHBR23 | DHICLHBR23BU |
| Hardex Pewter | DHICLPTR19 | DHICLPTR19BU | DHICLPTR21 | DHICLPTR21BU | DHICLPTR23 | DHICLPTR23BU |
| Antique Black | DHICLABR19 | DHICLABR19BU | DHICLABR21 | DHICLABR21BU | DHICLABR23 | DHICLABR23BU |
| Anthracite Grey | DHICLAGR19 | DHICLAGR19BU | DHICLAGR21 | DHICLAGR21BU | DHICLAGR23 | DHICLAGR23BU |
| Premium Satin | DHICLPSR19 | DHICLPSR19BU | DHICLPSR21 | DHICLPSR21BU | DHICLPSR23 | DHICLPSR23BU |
| White | DHICLWHR19 | DHICLWHR19BU | DHICLWHR21 | DHICLWHR21BU | DHICLWHR23 | DHICLWHR23BU |
| Black | DHICBLR19 | DHICBLR19BU | DHICBLR21 | DHICBLR21BU | DHICBLR23 | DHICBLR23BU |

| Product | Step Height 19mm | Step Height 21mm |
|--|------------------|------------------|
| RAL Finish (further colours available) | Single Pack | Single Pack |
| Chartwell Green (RAL 6021) | DHICLCG6021R19 | DHICLCG6021R21 |
| Cream (RAL 9001) | DHICLCR9001R19 | DHICLCR9001R21 |
| Light Brown (RAL 8003) | DHICLLB8003R19 | DHICLLB8003R21 |
| Irish Oak (RAL 1011) | DHICLIO1011R19 | DHICLIO1011R21 |
| Dark Brown (RAL 8019) | DHICLBR8019R19 | DHICLBR8019R21 |
| Agate Grey (RAL 7038) | DHICLGR7038R19 | DHICLGR7038R21 |
| Pebble Grey (RAL 7032) | DHICLGR7032R19 | DHICLGR7032R21 |
| Slate Grey (RAL 7015) | DHICLGR7015R19 | DHICLGR7015R21 |
| Matte Black (RAL 9005) | DHICLMB9005R19 | DHICLMB9005R21 |

Technical Information

Corrosion resistance

All finishes salt spray tested to 480 hours (BS EN 1670: Class 5)

Operation

Function test to over 300,000 cycles

Adjustment

Vertically +5mm/-0mm; Horizontally +5mm/-5mm; Compression adjustment of +0mm/-1mm (pin adjustment) or +2mm/-1mm (reversed bushes) with a 4mm Allen key.

Performance

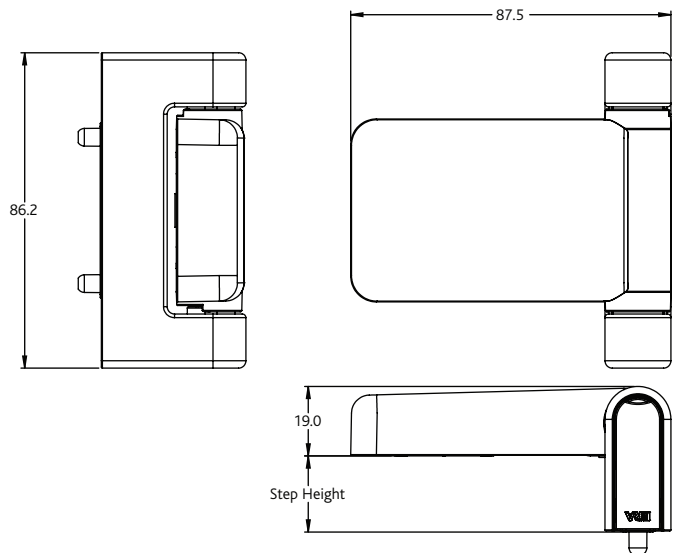
Tested as part of a complete door set that successfully achieved PAS 24: 2022. Tested with 3 hinges up to 100kg sash.

Max Weight Per Door

2 hinges - up to 80kgs 3 hinges - up to 100kgs

Maintenance

For continued protection of the quality finish and appearance, we advise routine cleaning of all our external hardware. We recommend wiping it with a clean cloth soaked in warm water and mild detergent every month. Please refrain from using heavy-duty cleaners, containing Chlorine or Potassium. Moving parts should also be lightly lubricated using a light non-acidic mineral oil (e.g., "3 in 1") at least twice per year. The product may need to be adjusted and fixings tightened to ensure a satisfactory operation. This procedure is particularly essential if products are used within a 25-mile radius of coastal areas or close proximity to building sites or large industrial areas, where more frequent cleaning may be required to prevent the accumulation of corrosive contaminants.



Not to scale. All dimensions are in mm and are nominal. ERA reserves the right to change specification without notice. It is the responsibility of the door manufacturer to ensure that the finished product meets any required safety and performance specification.

Material Specification

| | |
|----------------------|---|
| Hinge Body: | Zinc or Aluminium |
| Flag Cover: | Zinc or Aluminium |
| Coatings: | Hardex Chrome, Hardex Bronze, Hardex Gold, Hardex Graphite, Anthracite Grey, Antique Black, Premium Satin, Black and White. RAL matched power coated. |
| Mounting Block: | Zinc base and CR3 passivated |
| Recommended Screws*: | 4.8mm diameter countersunk screws |

*Not included. Screws may vary depending on the profile system and reinforcing used. Please check for the application.

Packaging

Hinge (Single Pack)

Individually packed, 1 hinges per box. 24 hinges per outer box.

Hinge (Bulk Pack)

6 hinges per tray. 24 hinges per outer box.