

## Horsetail Door Knocker

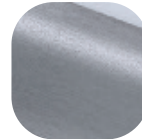


### Features

- **Croppable through fix bolt system**  
Easy installation on a wide variety of door thickness
- **Classic design**  
Create an elegant and elegant front door
- **Fitting jig available**  
Easy installation



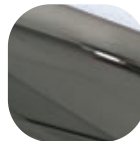
Hardex  
Chrome



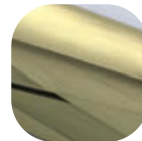
Hardex  
Graphite



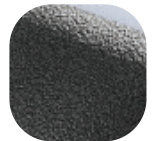
White



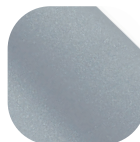
Hardex  
Bronze



Hardex  
Gold



Antique  
Black



Premium  
Satin

## Horsetail Door Knocker

### Ordering Details

#### Product

#### Horsetail Door Knocker

Finish	Part No.
White	4A500
Hardex Chrome	4A501
Hardex Bronze	4A503
Hardex Gold	4A505
Hardex Graphite	4A508
Antique Black	4A506
Premium Satin	DFNKNHTPS

### Technical Information

#### Corrosion resistance

Meets the requirements of BS EN 1670 Grade 5 (480 hours)

#### Material Specification

Knocker:	High quality Zinc
Coatings:	Hardex Chrome, Hardex Bronze, Hardex Gold, Hardex Graphite, Antique Black, Premium Satin and White.

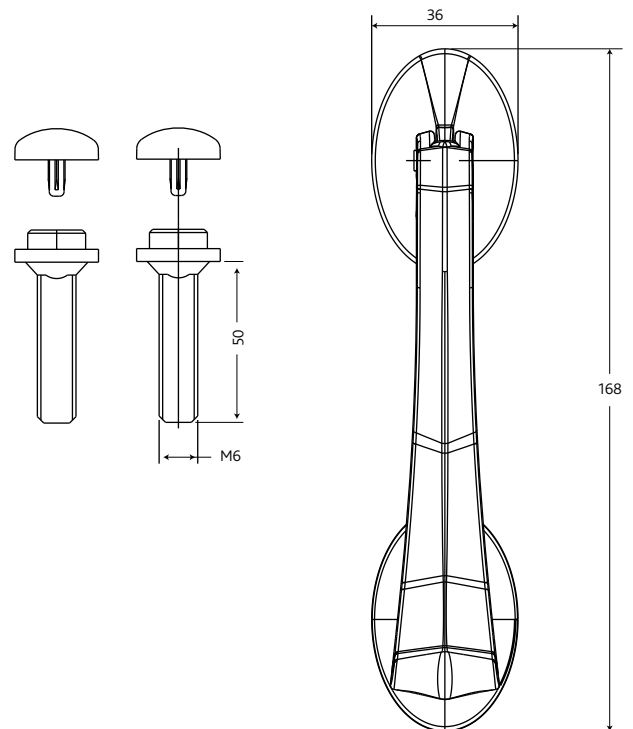
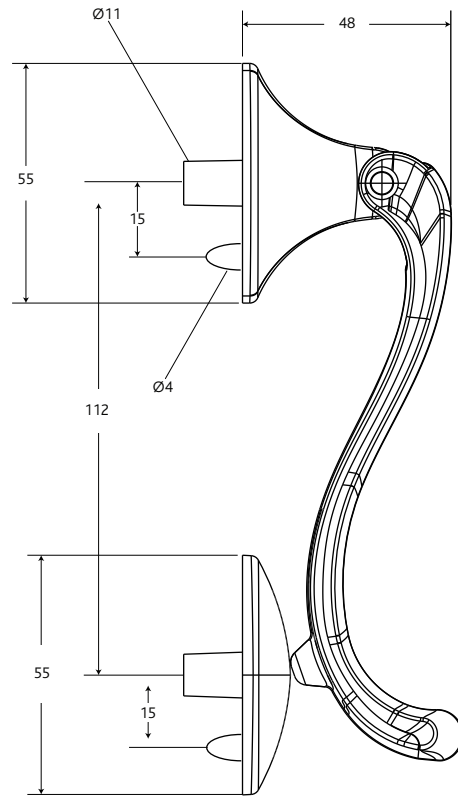
### Maintenance

For continued protection of the quality finish and appearance, we advise routine cleaning of all our external hardware. We recommend wiping it with a clean cloth soaked in warm water and mild detergent every month. Please refrain from using heavy-duty cleaners, containing Chlorine or Potassium. Moving parts should also be lightly lubricated using a light non-acidic mineral oil (e.g., "3 in 1") at least twice per year. The product may need to be adjusted and fixings tightened to ensure a satisfactory operation. This procedure is particularly essential if products are used within a 25-mile radius of coastal areas or close proximity to building sites or large industrial areas, where more frequent cleaning may be required to prevent the accumulation of corrosive contaminants.

### Packaging

#### Horsetail Knocker

Individually boxed with fixings.  
20 knockers in an outer box.



All dimensions are in mm and are nominal.

Fab&Fix reserves the right to change specification without notice. It is the responsibility of the door manufacturer to ensure that the finished product meets any required safety and performance specification.